



TrueBeam 
Treatment Console **DICOM Conformance Statement**

Abstract

This document provides information about the DICOM conformance of TrueBeam Treatment.

Manufacturer and European Representative

Manufacturer:

Varian Medical Systems, Inc. Ltd.
3100 Hansen Way, Bldg. 4A
Palo Alto, CA 94304-1030, U.S.A.

European Representative:

Varian Medical Systems UK Ltd.
Gatwick Road, Crawley
West Sussex RH10 9RG
United Kingdom

Notice

Information in this document is subject to change without notice and does not represent a commitment on the part of Varian. Varian is not liable for errors contained in this document or for incidental or consequential damages in connection with the furnishing or use of this material.

This document contains proprietary information protected by copyright. No part of this document may be reproduced, translated, or transmitted without the express written permission of Varian Medical Systems, Inc.

Trademarks

ARIA®, Varian®, VMS® are registered trademarks

ARIA™ is trademark of Varian Medical Systems, Inc.

Microsoft®, Windows NT® and Windows® are registered trademarks of Microsoft Corporation.

All other trademarks or registered trademark are the property of their respective owners.

Contacting Support

Support services are available without charge during the initial warranty period. If you seek information not included in this publication, call Varian Medical Systems support at the following locations:

- United States and Canada telephone support — + 1 888 827 4265
- United States and Canada Direct telephone support — + 1 650-213-1000
- European telephone Support — + 41 41 749 8844
- Fax (US) — + 1 702 938 4754
- Fax (Service Europe) — + 41 41 740 3340

All other countries please call your local service office

To contact the support location nearest you for Service, Parts or Support, see the list at the Varian Medical Systems website:

Worldwide Listing —

http://www.varian.com/us/oncology/services_and_support/contacts.html

Communicating Via the World Wide Web

If you have access to the Internet, you will find Varian Medical System support at the following location:

Oncology Systems — <http://my.varian.com>

If you have a Varian account, enter your username and password. Otherwise, first click create new account to get a username and password.

From *MyVarian* home page, click Contact Us from the *Support* list along the left side of the window.

If possible, please send all e-mail inquires through the my.varian.com web site at <http://my.varian.com/contactus>; otherwise, use the following e-mails addresses for support:

Sending E-Mail

- | | |
|--|--|
| ■ North America (North America and Canada) | support-americas@varian.com |
| ■ Central & South America | soporte.al@varian.com |
| ■ Europe (Europe, Middle East, Africa) | support-emea@varian.com |
| ■ Australia (Australian, New Zealand, Australasia) | support-anz@varian.com |
| ■ China / Asia (China, Asia) | support-china@varian.com |
| ■ Japan | support-japan@varian.com |
| ■ Brachy Therapy Systems | brachyhelp@varian.com |

Copyright© 2010 Varian Medical Systems Inc., Oncology Systems
All rights reserved.

Document History

A	Aug 25, 2010	Initial Version	JLU
---	--------------	-----------------	-----

Approval List

Department:	Function:	Appr.:	Date, Signature
VMS iLab/Milpitas/PA			
Jay Janardhanan	Manager, Software Engineering	√	Electronic signatures attached to the back of this document
Ulrich Busch	System Analyst	√	
Jeff Everett	Lead System Designer	√	

**Internal
Document History**

1.0	Aug 25, 2010	Changes made per review report (DHF#100046015)	JLU
0.1	Mar 1, 2010	Draft for review	JLU

Contents

Contents	5
List of Figures	7
List of Tables	7
1. Introduction.....	8
1.1 Audience.....	8
1.2 Overview.....	8
1.3 Remarks	8
1.4 References	9
1.5 Abbreviations.....	9
2. Networking	11
2.1 Application Data Flow Diagram	11
2.1.1 Application Data Flow.....	12
2.2 Functional Definition of AE's	15
2.3 Sequencing of Real-World Activities	15
2.4 AE Specifications.....	15
2.4.1 TXA Entity Specification	15
2.4.2 Association Establishment Policies	16
2.4.3 Association Initiation Policy	17
2.4.4 Association Acceptance Policy.....	20
2.5 Network Interfaces.....	22
2.5.1 Physical Network Interfaces	22
2.5.2 Configuration	22
3. Media Interchange	24
4. Support of Character Sets	25
4.1 Overview.....	25
4.2 Display Behavior.....	25
5. Security	26
5.1 Security Profiles.....	26
5.2 Association Level Security	26
5.3 Application Level Security	26
Appendix A Specialization.....	27
A.1 IOD Contents.....	27
A.1.1 Created SOP Instances.....	27
A.1.2 Usage of Attributes from received IOD's	27
A.2 Data Dictionary of Private Attributes	29
A.2.1 Privatization for RT Plan Storage SOP class	29
A.2.2 Privatization for RT Beams Treatment Record Storage SOP class	30
A.2.3 Privatization for RT Treatment Summary Record Storage SOP class.....	31

Appendix B	Object Matching Criteria	33
B.1	IOD Specific Matching Criteria	33
B.1.1	Supported Keys	33
Appendix C	IOD Details	37
C.1	Supported IODs.....	37
C.2	Modules and Attributes.....	40
C.2.1	Patient – C.7.1.1.....	40
C.2.2	General Study - C.7.2.1.....	42
C.2.3	General Equipment – C.7.5.1.....	48
C.2.4	RT Series – C.8.8.1.....	49
C.2.5	RT General Plan – C.8.8.9.....	57
C.2.6	RT Prescription – C.8.8.10.....	59
C.2.7	RT Tolerance Tables – C.8.8.11.....	62
C.2.8	RT Patient Setup – C.8.8.12.....	64
C.2.9	RT Fraction Scheme – C.8.8.13.....	69
C.2.10	RT Beams – C.8.8.14.....	73
C.2.11	Approval – C.8.8.16.....	99
C.2.12	SOP Common – C.12.1.....	99
C.2.13	Extended Interface – Private.....	108
Appendix D	Extended Interface	109
D.1	RT Plan.....	109
D.2	RT Beams Treatment Record	114

List of Figures

Figure 2-1: SCU Role Application Data Flow Diagram for loading patient data	12
Figure 2-2: SCP Role Application Data Flow Diagram for loading patient data	13
Figure 2-3: SCU Role Application Data Flow Diagram for saving patient data	14
Figure 2-4: Associations used for TXA.....	16
Figure 2-5: AE Title/Presentation Address Mapping	23

List of Tables

Table 1-1: Network services supported	8
Table 2-1: Supported SCU/SCP SOP Classes for TXA Entity	15
Table 2-2: Operational Modes of TXA.....	17
Table 2-3: Operational Modes of TXA.....	18
Table 2-4: Proposed Presentation Contexts for Query/Retrieve SCU	19
Table 2-5: Acceptable Presentation Contexts for Storage SCP	21
Table 5-1: TXA handling of RT Plan IOD DICOM Type 2 attributes	28
Table 5-2: TXA handling of RT Plan IOD DICOM Type 3 attributes	29
Table 5-3: RT Plan IOD Privatization	30
Table 5-4: RT Beams Treatment Record IOD Privatization	30
Table 5-5: RT Treatment Summary Record IOD Privatization	32
Table 5-6: Supported Query/Retrieve Levels for Query/Retrieve SCU	33
Table 5-7: Study key.....	34
Table 5-8: Series key.....	34
Table 5-9: Plan key.....	34
Table 5-10: Treatment Record key.....	35
Table 5-11: Treatment Record key.....	36
Table 5-12: RT Plan IOD Module	37
Table 5-13: RT Beams Treatment Record IOD Module	38
Table 5-14: RT Treatment Summary Record Module	39
Table 5-15: RT Plan / RT Ion Plan Extended Interface XML Structure.....	113
Table 5-16: RT Beams Treatment Record Extended Interface XML Structure	116

1. Introduction

1.1 Audience

This document is intended for the following groups of persons:

- Marketing and sales persons
- System integrators of medical equipment
- Other vendors offering interfacing via DICOM

It is assumed, that the reader is familiar with the DICOM standard.

The document is structured firmly along the template definition as specified in Part 2 of the DICOM standard.

1.2 Overview

This document specifies the compliance to DICOM conformance requirements of the TrueBeam Treatment Application version 1.0.

SOP Classes	User of Service (SCU)	Provider of Service (SCP)
Transfer		
Verification (Echo)	yes	yes
RT Plan Storage	yes	yes
RT Treatment Summary Record Storage	no	yes
RT Beams Treatment Record Storage	yes	no
Query/Retrieve		
Study Root Query/Retrieve Information Model – FIND	yes	no
Study Root Query/Retrieve Information Model – MOVE	yes	no

Table 1-1: Network services supported

1.3 Remarks

The scope of this Conformance Statement is to facilitate communication with TrueBeam Treatment applications and other vendor's medical equipment. The Conformance Statement should be read and understood in conjunction with the DICOM standard [1].

The DICOM standard in the current version evolved in 1993 with DICOM 3.0. The definition of DICOM standard for radiotherapy data started in 1994 and has now reached a productive state. Nowadays DICOM is the primary choice for exchanging data with an open standard protocol for the majority of vendors and institutions. Varian Medical Systems is committed to this notion of standard-based cross-vendor interoperability as well as making use of the DICOM protocol among its own products.

DICOM, by itself, does not guarantee interoperability. However, the Conformance Statement facilitates a first-level validation for interoperability between different applications supporting the same DICOM functionality.

This Conformance Statement is not intended to replace validation with other DICOM equipment to ensure proper exchange of information intended.

Because the DICOM standard is subject to ongoing changes, enhancements and improvements, Varian Medical Systems reserves the right to advance their products by making use of upcoming DICOM features without prior announcement.

1.4 References

- [1] Digital Imaging and Communications in Medicine (DICOM), Parts 1-18 (2008)
National Electrical Manufacturers Association (NEMA)
Rosslyn, VA
United States of America
- [2] Varian System Server DICOM Conformance Statement B VA8005D3CS
Baden, Switzerland

1.5 Abbreviations

This section provides the definitions of terms, acronyms, and abbreviations which are used throughout the document. An arrow sign (→) left of a word indicates that it can be looked up in this table.

AE	Application Entity (→DICOM term)
Attribute	DICOM Data Element
Daemon	Collective term for Windows services accepting →DICOM Associations
DB	Database
DICOM	Digital Imaging and Communications in Medicine, a standard on image communications in medical applications
DIMSE	DICOM Message Service element
DNS	Domain Name System
EMPTY	Attribute is sent without a value
IE	Information Entity
IOD	Information Object Definition (→DICOM term)
Management System	Collective term including →Daemon and →RadOnc Client
Multi-frame Image	Image that contains multiple two-dimensional pixel planes
NEMA	National Electrical Manufacturers Association
PDU	Protocol Data Unit (→DICOM term)
PVA	Patient Verification Application -> TrueBeam Imaging Application
RadOnc	Radiation Oncology Client Applications, including Eclipse
SCU	Service Class User (→DICOM term)
SCP	Service Class Provider (→DICOM term)

Session	Set of one or more RT Plan IOD's belonging to one patient
SOP	Service-Object-Pair, a definition of an information object (like an image) and of a service (like storage) that can be performed for the object (→DICOM term)
TCP/IP	Transmission Control Protocol / Internet Protocol, a widely used computer networking protocol
TXA	TrueBeam Treatment Application
UID	Unique Identifier used to identify an object by a worldwide unique identifier (→DICOM term)
VNAP	Value Not Always Present (attribute sent zero length if no value is present)
VR	Value Representation, a data encoding method in →DICOM

2. Networking

2.1 Application Data Flow Diagram

Three diagrams illustrating the application model, two for the SCU and one for the SCP role, are shown in Figure 2-1, Figure 2-2 and Figure 2-3.

The initial function to load the plan into the TXA application is represented by *Load RT Plan* (This function is typically performed by the application after the Patient and the Plan UIDs have been received by the Management System). TXA invokes a move command for each DICOM RT Plan. This requires the TXA application to provide the RT Plan Storage Service Class Provider (SCP). Figure 2-2 shows the SCP role supported by TXA. TXA then issues a move command to request and retrieve the RT Treatment Summary Record. Based on the last fraction state, a find command is executed to request the *Load Beam Record Information* (shown Figure 2-1) to recover from a partial treatment.

A *Save* issued by the operator will invoke a storage command, which requires the remote application to provide a storage SCP as shown in Figure 2-3.

Closing the patient in TXA will result in a *Save* if the plan data has been modified and/or treatment records have been created. TXA will delete the objects temporarily stored. In case the Management System is not accessible, TXA will save the changes into one or several DICOM Media File(s).

2.1.1 Application Data Flow

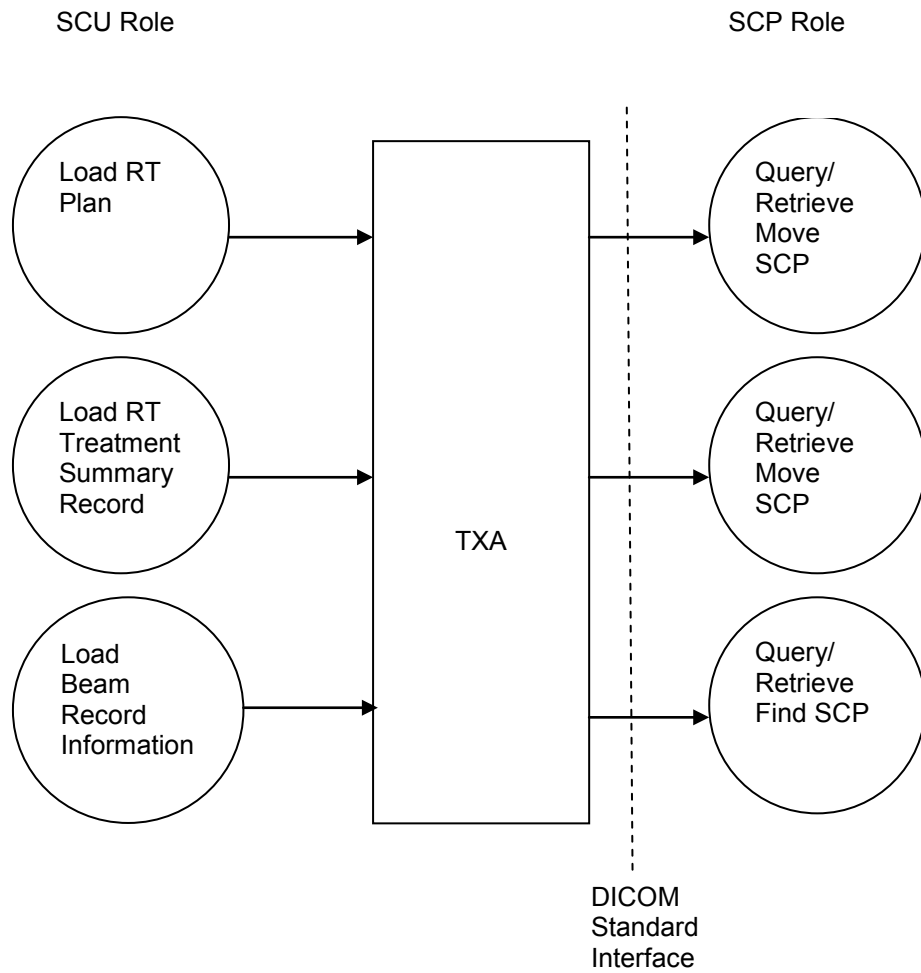


Figure 2-1: SCU Role Application Data Flow Diagram for loading patient data

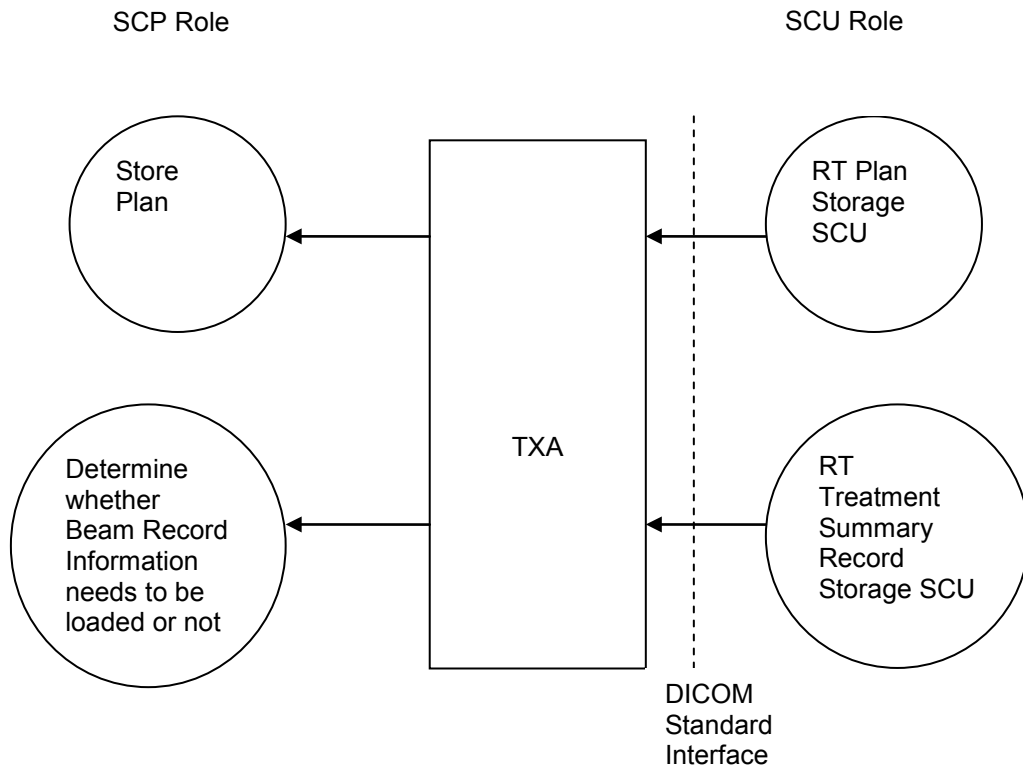


Figure 2-2: SCP Role Application Data Flow Diagram for loading patient data

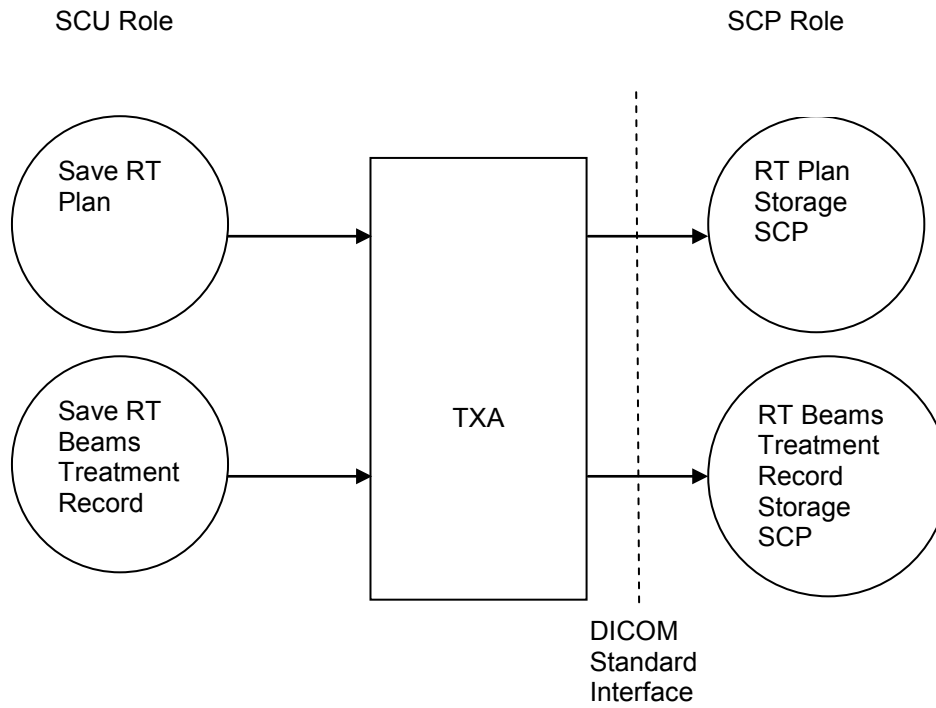


Figure 2-3: SCU Role Application Data Flow Diagram for saving patient data

2.2 Functional Definition of AE's

The TXA Entity's main responsibility is to execute a patient treatment. Before treating, TXA loads the patient data from the Management System using DICOM services. After treating, TXA generates RT Beams Treatment Record(s) storing them back to the Management System again using DICOM services.

TXA is also capable of modifying RT Plan(s) and/or creating new RT Plan(s).

2.3 Sequencing of Real-World Activities

TXA executes the activities for loading a patient in the following order.

- C-Move RT Plan SOP class
- C-Move RT Treatment Summary Record SOP class
- C-Find RT Beams Treatment Record SOP class if needed (NOTE: The C-Find RT Beams Treatment Record query is only executed in order to finalize the previous treated fraction)

The only requirement is to load the RT Plan first before the others. The above sequence is repeated for as many RT Plan in the treatment session.

The following sequence is for saving the patient from TXA to the Management System:

- C-Storage RT Plan SOP class (executed if a plan changed in TXA)
- C-Storage RT Beams Treatment Record SOP class (executed if a beam got treated)

The only requirement is to save RT Plan(s) first before the RT Beam Record(s). This is because the RT Beams Treatment Record(s) are referring to the new RT Plan.

2.4 AE Specifications

2.4.1 TXA Entity Specification

The TXA Entity provides standard conformance to the following DICOM SOP classes:

SOP Class Name	SCU/SCP Role	SOP Class UID
Verification (Echo)	SCU / SCP	1.2.840.10008.1.1
RT Plan Storage	SCU / SCP	1.2.840.10008.5.1.4.1.1.481.5
RT Treatment Summary Record Storage	SCP	1.2.840.10008.5.1.4.1.1.481.7
Study Root Query/Retrieve information model- FIND	SCU	1.2.840.10008.5.1.4.1.2.2.1
Study Root Query/Retrieve information model- MOVE	SCU	1.2.840.10008.5.1.4.1.2.2.2
RT Beams Treatment Record Storage	SCU	1.2.840.10008.5.1.4.1.1.481.4

Table 2-1: Supported SCU/SCP SOP Classes for TXA Entity

2.4.2 Association Establishment Policies

2.4.2.1 General

See details in Related Documents [2].

There are a total of three associations. TXA establishes two associations while the Management System establishes one association. The first association established by TXA is to support the C-Move and C-Find services. The second association established by TXA is to support the C-Storage service. The association established by the Management System is for storing patient data to TXA.

All of the association supports the C-Echo service to determine whether the association is still alive or not.

A diagram of the associations is in Figure 2-4.

TXA accepts any maximum PDU size for incoming data streams and suggests the size of 65536 bytes for outgoing data streams.

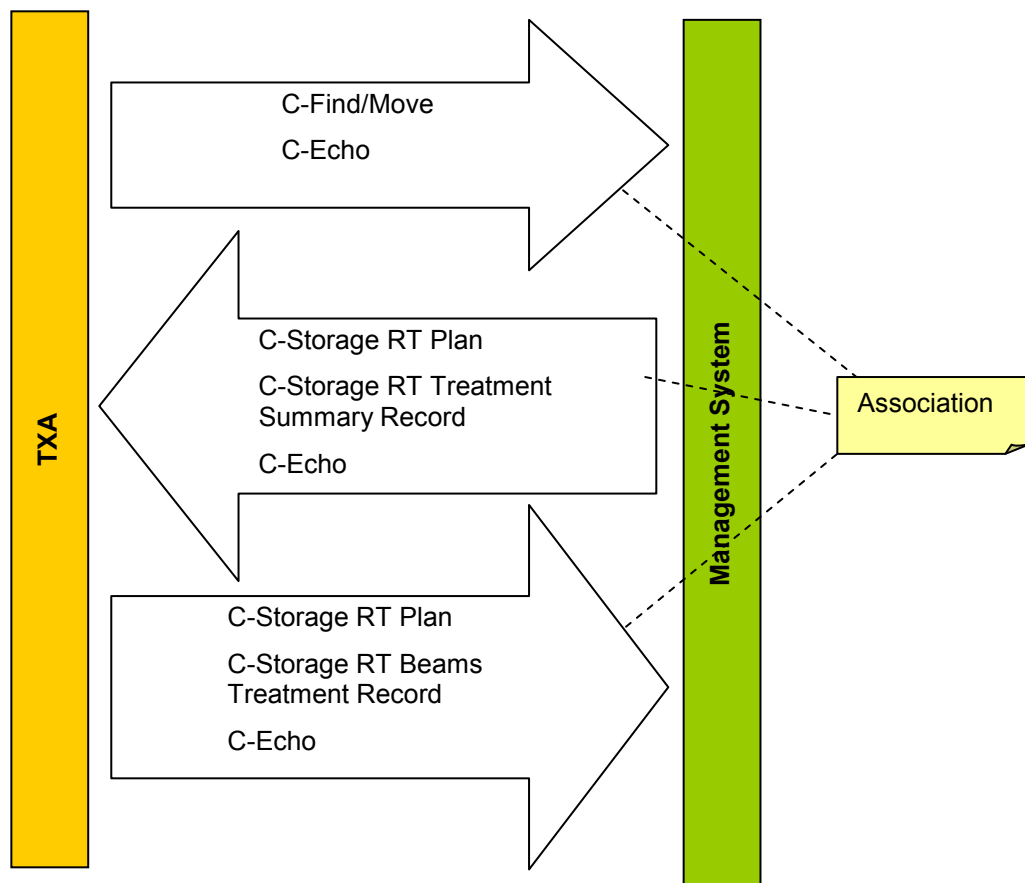


Figure 2-4: Associations used for TXA

2.4.2.2 Numbers of Associations

TXA supports a total of three associations as shown in Figure 2-4. TXA supports having one association for each batch of services at a time (Note: A batch of services refers to the list of services contained in an arrow in Figure 2-4).

2.4.2.3 Implementation identifying information

TXA may run in different operational modes to provide backwards compatibility; for details see following section 2.4.2.3.1 and Appendix D.

2.4.2.3.1 Operational Modes

The Operational Modes and their Implementation Class UID for TXA is defined in the Table 2-2.

Treatment Daemon can run in following three operational modes:

- VMS Console System 6.5
- VMS Console System 8.8
- VMS Console System 8.8 QA

Operational mode is selected automatically during Association Negotiation depending on the Implementation Class UID of the association requesting peer if not an explicit operation mode is configured in TXA.

The following table maps the operational mode with the Implementation Class UID in TXA:

Operational Mode	Implementation Class UID	
	SCU	SCP
VMS Console System 6.5	1.2.246.352.70.2.1.9	1.2.246.352.70.2.1.10
VMS Console System 8.8	1.2.246.352.70.2.1.17	1.2.246.352.70.2.1.18
VMS Console System 8.8 QA	1.2.246.352.70.2.1.19	1.2.246.352.70.2.1.20

Table 2-2: Operational Modes of TXA

2.4.3 Association Initiation Policy

The TXA Entity will initiate one association for all Query/Retrieve Services (Q/R SCU) that contains the C-Find and the C-Move service. When the user starts up TXA and clicks on “Open Patient”, TXA initiates an association for all Query/Retrieve Services for the first time. All subsequent actions of clicking “Open Patient” no longer require initiating this association since it will use the existing association.

The TXA Entity will initiate one association for all Storage Services where it acts as a user (Storage SCU). When the user clicks on “Close Patient”, TXA checks if an association already exists for all Storage Services. If an association does not exist for all Storage Services, TXA initiates an association for all Storage Services. Otherwise, TXA uses the existing association.

The Management System will initiate one association for all C-Storage services used for sending all patient data. In this association, TXA acts as a provider (Storage SCP).

The Echo/Verification service is used prior any other DICOM service to verify whether an established association exists.

For performance reasons, TXA maintains its associations until one of the following occurs:

- 1) TXA is terminated (this results with all associations being terminated)

Or

- 2) The Echo/Verification service fails (this results with the Echo/Verification's corresponding association to be terminated)

2.4.3.1 Storage SCU

2.4.3.1.1 Associated Real-World Activity

The C-Storage service is used by TXA to store patient data into the Management System. This service gets executed whenever the operator selects 'Close Patient'.

2.4.3.1.2 Presentation Context Table

Presentation Context Table					
Abstract Syntax		Transfer Syntax		Role	Extended Negotiation
Name	UID	Name	UID		
RT Plan Storage	1.2.840.10008.5.1.4.1.1.481.5	DICOM Implicit VR Little Endian	1.2.840.10008.1.2	SCU	None
RT Beams Treatment Record Storage	1.2.840.10008.5.1.4.1.1.481.4	DICOM Implicit VR Little Endian	1.2.840.10008.1.2	SCU	None

Table 2-3: Operational Modes of TXA

2.4.3.1.3 SOP Specific Conformance

2.4.3.1.3.1 SOP specific conformance for all Storage SOP classes

After a successful C-STORE operation, TXA does not display any information to the user but returns to its normal state. If the C-STORE operation results with a warning or an error, TXA displays the appropriate warning or error message to the operator.

2.4.3.1.3.2 SOP specific conformance for the RT Plan Storage SOP class

The following SOP specific conformance rules apply to TXA:

Setup Fields are supported in all operational modes.

Only the first Fraction Group sequence (300A, 0070) is read. The others are discarded.

A maximum of two wedges per field are supported.

A maximum of one MLC per field is supported.

Beam energy, table parameter and rotation direction changes in the control points are not supported.

General Accessory Sequence (300A,0420) used for Trays in VMS Console System 8.8 / VMS Console System 8.8 QA.

CustomAddOn Sequence is used for Trays in VMS Console System 6.5 (see Table 5-15).

RT Plan extended interface and privatization are described in Appendix A and D.

The Treatment Delivery Type (300A,00CE) is mandatory and must contain one of the defined terms (see [1]).

2.4.3.1.3.3 SOP specific conformance for the RT Beams Treatment Record storage SOP class

Beam Limiting Device Position Sequence (300A,011A) only contains collimator jaws positions. It does not contain any MLC leaf position information. MLC leaf positions will not be reported within the RT Beams Treatment Record IOD.

If Treatment Delivery Type is either OPEN_PORTFILM or TRMT_PORTFILM, the private Related Referenced Beam (3243,1028) attribute must be set instead of the Referenced Beam Number (300C, 0006). See section Appendix A2.2

The Treatment Termination Status (3008,002A) specifies whether the treatment was completed or partially completed.

RT Beams Treatment Record Extended Interface and Privatizations are described in Appendix A and D.

2.4.3.2 Query/Retrieve SCU

2.4.3.2.1 Associated Real-World Activity

TXA uses the Query/Retrieve information model MOVE for retrieving patient data from the Management System. After a successful query, the Management System sends the requested data with the C-Store service.

TXA uses the Query/Retrieve information model FIND for gathering information from the Management System. In order to determine whether a Beam was partially treated or completed, TXA queries for several attributes in the RT Beams Treatment Record stored in the management.

2.4.3.2.2 Presentation Context Table

Presentation Context Table					
Abstract Syntax		Transfer Syntax		Role	Extended Negotiation
Name	UID	Name	UID		
Study Root Query/Retrieve Information Model - FIND	1.2.840.10008.5.1.4.1.2.2.1	DICOM Implicit VR Little Endian	1.2.840.10008.1.2	SCU	None
Study Root Query/Retrieve Information Model - MOVE	1.2.840.10008.5.1.4.1.2.2.2	DICOM Implicit VR Little Endian	1.2.840.10008.1.2	SCU	None

Table 2-4: Proposed Presentation Contexts for Query/Retrieve SCU

2.4.3.2.3 SOP Specific Conformance

The following Query/Retrieve SOP classes are used by TXA as a Service Class User (SCU):

- C-Move RT Plan
- C-Move RT Treatment Summary Record
- C-Find RT Beams Treatment Record

2.4.3.2.3.1 SOP specific conformance for the C-Move SOP classes

For all C-Move SOP classes, the query key is always the SOP Instance UID of the particular DICOM IOD that TXA requests. There are no other matching criteria's for the C-Move key. All keys used for the C-Move service are defined in section B.1.1.

The C-Move service requires TXA to be an SCP of the C-Storage service for the same DICOM IOD. For example whenever TXA is a SCU of C-Move RT Plan it implies that TXA is a SCP of C-Storage RT Plan (see Table 1-1).

2.4.3.2.3.2 SOP specific conformance for the C-Find RT Beams Treatment Record SOP class

The C-Find RT Beams Treatment Record SOP class will be used for calculating the remaining MU. The remaining monitor units are calculated with the *Beam Meterset (300A,0086)* in the RT Fraction Scheme module (provided from the Plan IOD) minus the *Delivered Primary Meterset (3008, 0036)* (provided from the Beam Record Information) –see Table 5-10).

Calculation of Remaining MU when monitor units are not overridden:

Remaining MU = Beam Meterset (300A,0086) – Delivered Primary Meterset (3008,0036)

Calculation of Remaining MU when monitor units are overridden:

Remaining MU = Specified Meterset (3008, 0042) – Delivered Primary Meterset (3008,0036)

Note: MU subtraction is not supported in TrueBeam.

The Treatment Record key contains the matching criteria for the RT Beams Treatment Record. Whenever the key matches the particular RT Beams Treatment Record, the attributes defined in Table 5-10 (SCP column) gets filled in. Note that the Treatment Session Beam Sequence may contain one or more item. It is up to the Management System to decide whether for each Treatment Session Beam one Treatment Record key gets sent or if all Treatment Session Beams are sent within one Treatment Record key.

Only the last treated fraction is the fraction of interest.

2.4.4 Association Acceptance Policy

The TXA Entity accepts association requests for the supported service classes shown in Figure 2-4. TXA accepts only one Management System Application Entity for the possible association.

2.4.4.1 Storage SCP

2.4.4.1.1 Associated Real-World Activity

The patient data is sent from the Management System to TXA through the C-Storage service. This is the only service that TXA supports as an SCP.

2.4.4.1.2 Presentation Context Table

Presentation Context Table					
Abstract Syntax		Transfer Syntax		Role	Extended Negotiation
Name	UID	Name	UID		
RT Plan Storage	1.2.840.10008.5.1.4.1.1.481.5	DICOM Implicit VR Little Endian	1.2.840.10008.1.2	SCP	None
		DICOM Explicit VR Little Endian	1.2.840.10008.1.2.1	SCP	None
RT Treatment Summary Record Storage	1.2.840.10008.5.1.4.1.1.481.7	DICOM Implicit VR Little Endian	1.2.840.10008.1.2	SCP	None
		DICOM Explicit VR Little Endian	1.2.840.10008.1.2.1	SCP	None

Table 2-5: Acceptable Presentation Contexts for Storage SCP

2.4.4.1.3 SOP Specific Conformance

2.4.4.1.3.1 SOP specific conformance for the Storage SOP class

TXA is not an archive system. Thus DICOM IOD's are temporarily stored during a treatment session and deleted once the session is finished.

2.4.4.1.3.2 SOP specific conformance for the RT Plan Storage SOP class

TXA will only accept the Beam Limiting Device if the verification of the treatment machine settings and the Beam Limiting Device were successful. The same rule applies to the imported Wedge, Block and Applicator data.

The following SOP specific conformance rules apply to TXA:

TXA does not accept Arc-Dynamic Beam(s), which contains gantry rotations that is not equally spaced (e.g. 0, 10, 30, 100).

Only the first Fraction Group sequence (300A, 0070) is read. The others are discarded.

A maximum of two wedges per field are supported.

A maximum of one MLC per field is supported.

Beam energy, table parameter and rotation direction changes in the control points are not supported.

Wedge position changes are only supported for static technique (motorized wedge).

General Accessory Sequence (300A,0420) used for Trays in VMS Console System 8.8 / VMS Console System 8.8 QA.

CustomAddOn Sequence is used for Trays in VMS Console System 6.5 (see Table 5-15).

RT Plan extended interface and privatization is described in Appendix A.2.1 and Appendix D.1.

2.4.4.1.3.3 SOP specific conformance for the RT Treatment Record SOP class

RT Treatment Record IOD extended interface and privatization is described in Appendix A.2.2 and Appendix D.2

2.4.4.1.3.4 SOP specific conformance for the RT Treatment Summary Record SOP class

RT Treatment Summary Record IOD contains additional private tags defined in Appendix A.2.3.

2.4.4.2 Presentation Context Acceptance Criterion

The TXA Entity will accept the presentation contexts listed in Table 2-5.

2.4.4.3 Transfer Syntax Selection Policies

TXA accepts both Implicit VR Little Endian and Explicit VR Little Endian as shown in Table 2-5. TXA does not prefer one presentation context over the other.

2.5 Network Interfaces

2.5.1 Physical Network Interfaces

TXA Entity provides DICOM TCP/IP Network Communication Support as defined in PS 3.8 (part 8 of the DICOM 2008 standard [1]).

TXA entity can run on any physical network media that is supported by the underlying hardware and operating system (i.e. standard PCs and Windows XP professional). These include, but are not limited to: thin, thick, and twisted-pair Ethernet, token ring network and FDDI.

2.5.2 Configuration

The Treatment Preference Utility provides a mapping of an Application Entity Title to a Presentation Address. A Presentation Address consists of a host name and a port number. In Treatment Preferences Utility, the related Application Entity Title, host name, and port number are found in the Treatment Preference Utility, Advanced tab page (see Figure 2-5). The Client AE Title is the TXA application title, whereas Server AE Title represents the management system entity. Note that the connection can be tested only for TXA in the SCU and the management system in the SCP role within the Treatment Preference Utility Application.

DICOM Preferences

Client AETitle:

Client Port:

Client Mode: v

Server Type: v

Server AE Title:

Server Port:

Server IP Address: . . .

Figure 2-5: AE Title/Presentation Address Mapping

3. Media Interchange

TXA Application Entity does not support Media Interchange.

4. Support of Character Sets

4.1 Overview

No dedicated support for Character Sets beyond the Default Character Repertoire is available. However, text fields containing characters not in the Default Character Repertoire when importing an Instance will appear unchanged when re-exporting the same Instance again.

4.2 Display Behavior

Correct display of characters not in the Default Character Repertoire depends on available/configured operating system support.

5. Security

5.1 Security Profiles

No Security Profiles are supported.

5.2 Association Level Security

The TXA Entity checks the following values when determining whether to accept Association Open Requests:

- Called AE Title

5.3 Application Level Security

Local administrative rights are required for installing TXA.

Appendix A Specialization

A.1 IOD Contents

A.1.1 Created SOP Instances

IODs created by TXA Entities are listed in Appendix C along with supported modules and its attributes.

A.1.2 Usage of Attributes from received IOD's

This section describes the required or optional presence of Type 1, 2 and 3 attributes which TXA implements to pass the Plan IOD validation on load.

Type 1 attributes need to be present.

Type 2 attributes are distinguished as mandatory or optional attributes (similar to Type 1 and Type 3)

For all Type 2 RT Plan IOD attributes listed in Table 5-1, the roundtrip will be supported. This means that the attribute, if defined (attribute length greater than zero) while loading the RT Plan IOD, will be unchanged and present in the edited and saved RT Plan IOD.

For all Type 2 RT Plan IOD attributes not listed in Table 5-1 are deemed as optional and roundtrip is not supported.

Term used in the Handling column	Description
Mandatory	The attribute must be present and defined (attribute length greater than zero) if corresponding DICOM Module and Sequence is sent.
Optional	The attribute is being present with zero length or absent.

The table below summarizes the handling of RT Plan IOD Type 2 data elements in TXA.

Attribute Name	Tag	Module/Sequence	Handling
Id	(0010, 0020)	Patient	Mandatory.
Sex	(0010, 0040)	Patient	Optional.
Name	(0010, 0010)	Patient	Mandatory.
Birth Date	(0010, 0030)	Patient	Optional.
Manufacturer	(0008, 0070)	General Equipment	Mandatory.
Leaf Position Boundaries	(300A, 00BE)	RT Beam Limiting Device	Mandatory.
Reviewer Name	(300E, 0008)	Approval	Mandatory.
Review Date	(300E, 0004)	Approval	Mandatory.
Treatment Date	(3008, 0250)	General Treatment Record	Mandatory.

Attribute Name	Tag	Module/Sequence	Handling
Treatment Time	(3008, 0251)	General Treatment Record	Mandatory.
Treatment Machine Name	(300A, 00B2)	Beam	Mandatory.
Radiation Type	(300A, 00C6)	Beam	Optional.
Fraction Group Number	(300A, 0071)	Fraction Group	Mandatory.
Operators Name	(0008, 1070)	RT General Plan	Optional.
Date	(300A, 0006)	RT General Plan	Mandatory.
Time	(300A, 0007)	RTGeneralPlan	Mandatory.
Cumulative Meterset Weight	(300A, 0134)	Control Point	Mandatory.
Table Top Vertical Position	(300A, 0128)	Contro lPoint	Optional.
Table Top Longitudinal Position	(300A, 0129)	Control Point	Optional.
Table Top LateralPosition	(300A, 012A)	Control Point	Optional.
Isocenter Position	(300A, 012C)	Control Point	Optional.
WedgeType	(300A, 00D3)	Wedge	Mandatory
Wedge Angle	(300A, 00D5)	Wedge	Mandatory
Wedge Factor	(300A, 00D6)	Wedge	Optional
Wedge Orientation	(300A, 00D8)	Wedge	Mandatory
Comp Material ID	(300A, 00E1)	Compensator	Mandatory
Source Comp Tray Distance	(300A, 00E6)	Compensator	Optional
Source Block Tray Distance	(300A, 00F6)	Block	Optional
Block Divergence	(300A, 00FA)	Block	Optional
Block MaterialID	(300A, 00E1)	Block	Mandatory
Block Thickness	(300A, 0100)	Block	Optional
Block Transmission	(300A, 0102)	Block	Optional
Block Number Of Points	(300A, 0104)	Block	Mandatory
Block Data	(300A, 0106)	Block	Mandatory

Table 5-1: TXA handling of RT Plan IOD DICOM Type 2 attributes

Type 3 attributes are optional and may be absent except the attributes listed in Table 5-2:

Attribute Name	Tag	Module/Sequence	Handling
Beam Name	(300A, 00C2)	Beam	Mandatory Unique beam identification for the User Interface.
Treatment Delivery Type	(300A, 00CE)	Beam	Mandatory

Attribute Name	Tag	Module/Sequence	Handling
Tolerance Table Label	(300A, 0043)	Tolerance Table	Mandatory This attribute is being used for unique tolerance table identification.
Dose Reference Description	(300A, 0016)	Dose Reference Sequence	Mandatory This attribute is being used for unique dose reference identification.

Table 5-2: TXA handling of RT Plan IOD DICOM Type 3 attributes

A.2 Data Dictionary of Private Attributes

A.2.1 Privatization for RT Plan Storage SOP class

The DICOM Extended Interface is a private module added to the RT Plan IOD. This module contains an XML stream that contains the Plan Extended Interface described in Appendix D.

Module	Tag	Description	Type	VR
DICOM Extended Interface	Extended Interface Data (3253, 1000)	XML stream.	3	LT
DICOM Extended Interface	Extended Interface Length (3253, 1001)	Data length of the XML stream	3	IS
DICOM Extended Interface	Extended Interface Format (3253, 1002)	Extended Interface Format tag. A possible value is: 'ExtendedIF'	3	CS
RT Beam/Beam Sequence	Beam Secondary Name (3243, 1009)	Second user-defined beam name	3	LO
RT Beam / Beam Sequence / General Accessory Sequence	General Accessory Type (300A, 0423)	Additionally to the already defined terms, TRAY will be added defining accessory trays different than graticule, image detector and reticle. Defined Terms: GRATICULE IMAGE_DETECTOR RETICLE TRAY	3	SH

Module	Tag	Description	Type	VR
RT Fraction Scheme / Fraction Group Sequence / Referenced Beam Sequence	Maximum Treatment Time (3249, 1000)	The maximum treatment time, which should not be exceeded (in min). This item serves as a secondary safety limit besides the Beam Meterset (300A,0086) value itself.	3	DS

Table 5-3: RT Plan IOD Privatization

A.2.2 Privatization for RT Beams Treatment Record Storage SOP class

Module	Tag	Description	Type	VR
RT Beam Session Record/Treatment Session Beam Sequence	Treatment Machine Note (3251, 1000)	A description of the treatment machine details.	3	LO
RT Beam Session Record/Treatment Session Beam Sequence	Treatment Session Beam Data (3261, 102A)	Extended interface in XML format (see 4.2.2).	3	OB
RT Beam Session Record/Treatment Session Beam Sequence	Related Referenced Beam Number (3243, 1028)	If TreatmentDeliveryType of the treated beam is either OPEN_PORTFILM or TRMT_PORTFILM then the Related Referenced Beam Number must be used instead of the Referenced Beam Number (300C, 0006). The Related Referenced Beam Number refers to the treatment field for which the image was taken.	3	IS
RT Beam Session Record/Treatment Session Beam Sequence/ General Accessory Sequence	General Accessory Type (300A, 0423)	Additionally to the already defined terms, TRAY will be added defining accessory trays different than graticule, image detector and reticle. Defined Terms: GRATICULE IMAGE_DETECTOR RETICLE TRAY	3	SH

Table 5-4: RT Beams Treatment Record IOD Privatization

A.2.3 Privatization for RT Treatment Summary Record Storage SOP class

Module	Tag	Description	Type	VR
RT Treatment Summary Record	Additional Dose Value Sequence (3259, 1000)	Introduces sequence of Actual Session Dose Sequence. The sequence may contain one or more items. Sequence for additional Dose Information to a Reference Point. The ReferencePoint must be connected to Referenced Plan of this TreatmentSummary Record, but also the Dose of other Plans which have the same Reference Point have influence on this values.	3	SQ
RT Treatment Summary Record/ Additional Dose Value Sequence	Actual Session Dose (3259, 1002)	Session Dose Delivered of Actual Session Required if Actual Session Dose Sequence is sent.	1C	DS
RT Treatment Summary Record/ Additional Dose Value Sequence	Daily Dose (3259, 1004)	Daily Dose of current day. Required if Actual Session Dose Sequence is sent.	1C	DS
RT Treatment Summary Record/ Additional Dose Value Sequence	Life Time Total Dose (3259, 1006)	Total Dose of Reference Point over all Plans. Required if Actual Session Dose Sequence is sent.	1C	DS
RT Treatment Summary Record	Total Number of Fractions (3265, 1000)	Total number of Fractions planned for the current plan and all its former plans.	1	SL

Module	Tag	Description	Type	VR
RT Treatment Summary Record	Last Treated Fraction (3265, 1001)	<p>The index of the last fraction treated across the current plan and all its former plans. In other words, this tag will always contain the fraction, which was last treated (completely or partially). So it will be the same as in the Fraction Status Summary Sequence (3008,0240) on the last item of the sequence in the tag Referenced Fraction Number (3008,0223), as soon as the sequence is not empty any more (so after the 1st treatment has got at least 1 MU).</p> <p>In case of completing a partial treatment, the plan's current fraction number is equal to <i>Last Treated Fraction (3265, 1001)</i>.</p>	1	SL

Table 5-5: RT Treatment Summary Record IOD Privatization

Appendix B Object Matching Criteria

B.1 IOD Specific Matching Criteria

Table 5-6 shows the supported values for the tag Query/Retrieve Level (0008,0052):

Query/Retrieve Level		Value in (0008,0052)
Study Information		STUDY
Series Information		SERIES
Composite Object Instance Information	Plan Information	PLAN
	Treatment Record Information	TREATMENTRECORD
	Treatment Summary Record Information	TREATMENTSUMMARYRECORD

Table 5-6: Supported Query/Retrieve Levels for Query/Retrieve SCU

B.1.1 Supported Keys

The tables in the following sub section show which keys the SCU and the SCP support. Since Treatment is not an SCP of any C-Find service, the SCP column indicates what the Management System shall support. A check mark in the SCU and/or SCP column indicates that SCP shall supports this key. A "M" in the SCP column indicates that the SCP uses this key for matching if a value is defined for it.

The Type column applies only to the SCU role. Type "R" means this attribute is required, Type "U" means this attribute is user-defined, and Type "O" means the attribute is optional.

The tables in the following sub section show which keys the SCU and the SCP support. Since Treatment is not an SCP of any C-Find service, the SCP column indicates what the Management System shall support. A check mark in the SCU and/or SCP column indicates that SCP shall supports this key. A "M" in the SCP column indicates that the SCP uses this key for matching if a value is defined for it.

The Type column applies only to the SCU role. Type "R" means this attribute is required, Type "U" means this attribute is user-defined, and Type "O" means the attribute is optional.

B.1.1.1 Study Level

Description	Tag	Type	SCU	SCP
Query Level STUDY	(0008,0052)	R	✓	✓
Study Date	(0008,0020)	R	✓	M
Study Time	(0008,0030)	R	✓	M
Accession Number	(0008,0050)	R	✓	M
Patient's Name	(0010,0010)	R	✓	M
Patient ID	(0010,0020)	R	✓	M
Study ID	(0020,0010)	R	✓	M

Description	Tag	Type	SCU	SCP
Study Instance UID	(0020,000D)	U	✓	M

Table 5-7: Study key

B.1.1.2 Series Level

Description	Tag	Type	SCU	SCP
Query Level SERIES	(0008,0052)	R	✓	✓
Modality	(0008,0060)	R	✓	M
Series Number	(0020,0011)	R	✓	M
Series Instance UID	(0020,000E)	U	✓	M
Study Instance UID	(0020,000D)	U	✓	M

Table 5-8: Series key

B.1.1.3 Composite Object Instance Level

B.1.1.3.1 Plan

Description	Tag	Type	SCU	SCP
Query Level PLAN	(0008,0052)	R	✓	✓
SOP Instance UID	(0008,0018)	U	✓	M
Series Instance UID	(0020,000E)	U	✓	M
Study Instance UID	(0020,000D)	U	✓	M
Patient's Name	(0010,0010)	O	✓	M
Patient ID	(0010,0020)	O	✓	M
Plan Label	(300A,0002)	O	✓	M
Plan Date	(300A,0006)	O	✓	M
Plan Time	(300A,0007)	O	✓	✓
Number of Beams	(300A,0080)	O	✓	✓
Referenced RT Plan Sequence	(300C,0002)	O	✓	✓
>Referenced SOP Class UID	(0008,1150)	O	✓	✓
>Referenced SOP Instance UID	(0008,1155)	O	✓	✓
>RT Plan Relationship	(300A,0055)	O	✓	✓
Field Type	(3257,1000)	O	✓	
Plan Type	(3257,1001)	O		✓

Table 5-9: Plan key

B.1.1.3.2 Treatment Record Key

Description	Tag	Type	SCU	SCP
Query Level TREATMENTRECORD	(0008,0052)	R	✓	✓
SOP Instance UID	(0008,0018)	U	✓	M
Series Instance UID	(0020,000E)	U	✓	M
Study Instance UID	(0020,000D)	U	✓	M
Referenced SOP Class UID	(0008,1150)	O	✓	M
Referenced SOP Instance UID	(0008,1155)	O	✓	M
Treatment Date	(3008,0250)	O	✓	M
Treatment Time	(3008,0251)	O	✓	M
Referenced Fraction Group Number	(300C,0022)	O	✓	✓
Treatment Session Beam Sequence	(3008,0020)	O	✓	✓
>Referenced Beam Number	(300C,0006)	O	✓	✓
>Treatment Delivery Type	(300A,00CE)	O	✓	✓
>Treatment Termination Status	(3008,002A)	O	✓	✓
>Delivered Primary Meterset	(3008,0036)	O	✓	✓
>Current Fraction Number	(3008,0022)	O	✓	✓
>Treatment Date	(3008,0250)			
>Treatment Time	(3008,0251)			
>Referenced Calculated Dose Reference Sequence	(3008,0090)	O	✓	✓
>>Referenced Dose Reference Number	(300C,0051)	O	✓	✓
>>Calculated Dose Reference Value	(3008,0076)	O	✓	✓
>Control Point Delivery Sequence	(3008,0040)	O	✓	✓
>>Referenced Control Point Index	(300C,00F0)	O	✓	✓
>>Specified Meterset	(3008,0042)	O	✓	✓
>>Override Sequence	(3008,0060)	O	✓	✓
>>>Override Parameter Pointer	(3008,0062)	O	✓	✓
>>Gantry Angle	(300A,011E)			

Table 5-10: Treatment Record key

B.1.1.3.3 Treatment Summary Record

Description	Tag	Type	SCU	SCP
Query Level - VMS Console System 6.5: TREATMENTSUMMARYRECORD - VMS Console System 8.8 and VMS Console System 8.8 QA: TREATMENTSUMMARYREC	(0008,0052)	R	✓	✓
Referenced SOP Class UID	(0008,1150)	O	✓	M
Referenced SOP Instance UID	(0008,1155)	O	✓	M
Current Treatment Status	(3008,0200)	O	✓	✓
Number of Fractions Delivered	(3008,005A)	O	✓	✓
Treatment Summary Calculated Dose Reference Sequence	(3008,0050)	O	✓	✓
>Referenced Dose Reference Number	(300C,0051)	O	✓	✓
>Dose Reference Description	(300A,0016)	O	✓	✓
>Cumulative Dose to Dose Reference	(3008,0052)	O	✓	✓

Table 5-11: Treatment Record key

Appendix C IOD Details

C.1 Supported IODs

The following tables define the modules that are and are not supported for a particular IOD. For specific IOD details, refer to Related Documents [2].

The “Not supported” entries in the Support column indicate that the import of module is not supported or it is discarded on import of this IOD and will never appear in exported IOD.

RT Plan IOD Module Table

IE	Module	Reference	DICOM Usage	Support
Patient	Patient	C.7.1.1	M	
Study	General Study	C.7.2.1	M	
	Patient Study	C.7.2.2	U	Not supported
Series	RT Series	C.8.8.1	M	
Equipment	General Equipment	C.7.5.1	M	
Plan	RT General Plan	C.8.8.9	M	
	RT Prescription	C.8.8.10	U	
	RT Tolerance Tables	C.8.8.11	U	
	RT Patient Setup	C.8.8.12	U	
	RT Fraction Scheme	C.8.8.13	U	
	RT Beams	C.8.8.14	C	
	RT Brachy Application Setups	C.8.8.15	C	Not supported
	Approval	C.8.8.16	U	
	Audio	C.10.3	U	Not supported
	SOP Common	C.12.1	M	
	DICOM Extended Interface	Private module (see C.2.13)	C	Additional features are supported with this module.

Table 5-12: RT Plan IOD Module

RT Beams Treatment Record IOD Module Table

IE	Module	Reference	DICOM Usage	Notes
Patient	Patient	C.7.1.1	M	
Study	General Study	C.7.2.1	M	
	Patient Study	C.7.2.2	U	Not supported
Series	RT Series	C.8.8.1	M	
Equipment	General Equipment	C.7.5.1	M	
Treatment Record	RT General Treatment Record	C.8.8.17	M	
	RT Patient Setup	C.8.8.12	U	Not supported
	RT Treatment Machine Record	C.8.8.18	M	
	Measured Dose Reference Record	C.8.8.19	U	Not supported
	Calculated Dose Reference Record	C.8.8.20	U	Not supported
	RT Beams Session Record	C.8.8.21	M	
	RT Treatment Summary Record	C.8.8.22	U	Not supported
	Curve	C.10.2	U	Not supported
	SOP Common	C.12.1	M	

Table 5-13: RT Beams Treatment Record IOD Module

RT Treatment Summary Record Module Table

IE	Module	Reference	DICOM Usage	Notes
Patient	Patient	C.7.1.1	M	
Study	General Study	C.7.2.1	M	
	Patient Study	C.7.2.2	U	Not supported
Series	RT Series	C.8.8.1	M	
Equipment	General Equipment	C.7.5.1	M	

IE	Module	Reference	DICOM Usage	Notes
Treatment Record	RT General Treatment Record	C.8.8.17	M	
	RT Treatment Summary Record	C.8.8.23	M	
	Curve	C.10.2	U	Not supported
	SOP Common	C.12.1	M	

Table 5-14: RT Treatment Summary Record Module

C.2 Modules and Attributes

For better reference with DICOM Standard [1], section titles of the following sub-sections are decorated with section number of DICOM Standard Part 3 where the corresponding Module Attribute table can be found. The first four columns in the following tables contain definitions from the DICOM standard. All references in those columns refer to the DICOM standard and not to this document.

Note that TXA only supports Roundtrip with RT Plan IOD's. Thus this section is focusing solely on RT Plan IOD attributes.

Column TXA Model Support describes for each attribute whether it is supported, thus maintained when loading the plan

Value in "TXA Model Support" column	Description
*** not supported ***	Attribute is unknown and therefore ignored by TXA. This means that the Roundtrip (load, edit and save) will result in erasing this attribute in the RT Plan IOD..
Roundtrip supported.	Complete roundtrip is guaranteed. Loading, editing and saving will maintain (unless edited) the original value in the exported RT Plan IOD.

C.2.1 Patient – C.7.1.1

Attribute Name	Tag	T	Attribute Description	TXA Model Support
Patient's Name	(0010,0010)	2	Patient's full name.	Roundtrip supported.
Patient ID	(0010,0020)	2	Primary hospital identification number or code for the patient.	Roundtrip supported.
Issuer of Patient ID	(0010,0021)	3	Identifier of the Assigning Authority that issued the Patient ID.	*** not supported ***
Patient's Birth Date	(0010,0030)	2	Birth date of the patient.	Roundtrip supported.
Patient's Sex	(0010,0040)	2	Sex of the named patient. Enumerated Values: M = male F = female O = other	Roundtrip supported.

Attribute Name	Tag	T	Attribute Description	TXA Model Support
Referenced Patient Sequence	(0008,1120)	3	A sequence that provides reference to a Patient SOP Class/Instance pair. Only a single Item shall be permitted in this Sequence.	*** not supported ***
> Referenced SOP Class UID	(0008,1150)	1C	Uniquely identifies the referenced SOP Class. Required if Referenced Patient Sequence (0008,1120) is sent.	*** not supported ***
> Referenced SOP Instance UID	(0008,1155)	1C	Uniquely identifies the referenced SOP Instance. Required if Referenced Patient Sequence (0008,1120) is sent.	*** not supported ***
Patient's Birth Time	(0010,0032)	3	Birth time of the Patient.	Roundtrip supported.
Other Patient IDs	(0010,1000)	3	Other identification numbers or codes used to identify the patient.	Roundtrip supported.
Other Patient Names	(0010,1001)	3	Other names used to identify the patient.	*** not supported ***
Ethnic Group	(0010,2160)	3	Ethnic group or race of the patient.	Roundtrip supported.
Patient Comments	(0010,4000)	3	User-defined additional information about the patient.	Roundtrip supported.d.
Patient Identify Removed	(0012,0062)	3	The true identity of the patient has been removed from the Attributes and the Pixel Data Enumerated Values: YES NO	*** not supported ***
De-identification Method	(0012,0063)	1C	A description or label of the mechanism or method use to remove the patient's identity. May be multi-valued if successive de-identification steps have been performed. Note: This may be used to describe the extent or thoroughness of the de- identification, for example whether or not the de-identification is for a "Limited Data Set" (as per HIPAA Privacy Rule). Required if Patient Identity Removed (0012,0062) is present and has a value of YES and De-identification Method Code Sequence (0012,0064) is not present.	*** not supported ***

Attribute Name	Tag	T	Attribute Description	TXA Model Support
De-identification Method Code Sequence	(0012,0064)	1C	A code describing the mechanism or method use to remove the patient's identity. One or more Items shall be present. Multiple items are used if successive de-identification steps have been performed Required if Patient Identity Removed (0012,0062) is present and has a value of YES and De-identification Method (0012,0063) is not present.	*** not supported ***
> Code Value	(0008,0100)	1C	See Section 8.1. Required if a sequence item is present.	*** not supported ***
> Coding Scheme Designator	(0008,0102)	1C	See Section 8.2. Required if a sequence item is present.	*** not supported ***
> Coding Scheme Version	(0008,0103)	1C	See Section 8.2. Required if a sequence item is present and the value of Coding Scheme Designator (0008,0102) is not sufficient to identify the Code Value (0008,0100) unambiguously.	*** not supported ***
> Code Meaning	(0008,0104)	1C	See Section 8.3. Required if a sequence item is present.	*** not supported ***

C.2.2 General Study - C.7.2.1

Attribute Name	Tag	T	Attribute Description	TXA Model Support
Study Instance UID	(0020,000D)	1	Unique identifier for the Study.	Roundtrip supported
Study Date	(0008,0020)	2	Date the Study started.	Roundtrip supported
Study Time	(0008,0030)	2	Time the Study started.	Roundtrip supported
Referring Physician's Name	(0008,0090)	2	Name of the patient's referring physician	Roundtrip supported
Referring Physician Identification Sequence	(0008,0096)	3	Identification of the patient's referring physician. Only a single item shall be permitted in this sequence.	*** not supported ***

Attribute Name	Tag	T	Attribute Description	TXA Model Support
> Person Identification Code Sequence	(0040,1101)	1	A coded entry which identifies a person. The Code Meaning attribute, though it will be encoded with a VR of LO, may be encoded according to the rules of the PN VR (e.g. caret '^' delimiters shall separate name components), except that a single component (i.e. the whole name unseparated by caret delimiters) is not permitted. Name component groups for use with multi-byte character sets are permitted, as long as they fit within the 64 characters (the length of the LO VR). One or more Items may be permitted in this Sequence.	*** not supported ***
>> Code Value	(0008,0100)	1C	See Section 8.1. Required if a sequence item is present.	*** not supported ***
>> Coding Scheme Designator	(0008,0102)	1C	See Section 8.2. Required if a sequence item is present.	*** not supported ***
>> Coding Scheme Version	(0008,0103)	1C	See Section 8.2. Required if a sequence item is present and the value of Coding Scheme Designator (0008,0102) is not sufficient to identify the Code Value (0008,0100) unambiguously.	*** not supported ***
>> Code Meaning	(0008,0104)	1C	See Section 8.3. Required if a sequence item is present.	*** not supported ***
> Person's Address	(0040,1102)	3	Person's mailing address	*** not supported ***
> Person's Telephone Numbers	(0040,1103)	3	Person's telephone number(s)	*** not supported ***
> Institution Name	(0008,0080)	1C	Institution or organization to which the identified individual is responsible or accountable. Shall not be present if Institution Code Sequence (0008,0082) is present.	*** not supported ***
> Institution Address	(0008,0081)	3	Mailing address of the institution or organization to which the identified individual is responsible or accountable.	*** not supported ***
> Institution Code Sequence	(0008,0082)	1C	Institution or organization to which the identified individual is responsible or accountable. Shall not be present if Institution Name (0008,0080) is present. Only a single Item shall be permitted in this Sequence.	*** not supported ***
>> Code Value	(0008,0100)	1C	See Section 8.1. Required if a sequence item is present.	*** not supported ***

Attribute Name	Tag	T	Attribute Description	TXA Model Support
>> Coding Scheme Designator	(0008,0102)	1C	See Section 8.2. Required if a sequence item is present.	*** not supported ***
>> Coding Scheme Version	(0008,0103)	1C	See Section 8.2. Required if a sequence item is present and the value of Coding Scheme Designator (0008,0102) is not sufficient to identify the Code Value (0008,0100) unambiguously.	*** not supported ***
>> Code Meaning	(0008,0104)	1C	See Section 8.3. Required if a sequence item is present.	*** not supported ***
Study ID	(0020,0010)	2	User or equipment generated Study identifier.	Roundtrip supported
Accession Number	(0008,0050)	2	A RIS generated number that identifies the order for the Study.	Roundtrip supported
Study Description	(0008,1030)	3	Institution-generated description or classification of the Study (component) performed.	Roundtrip supported
Physician(s) of Record	(0008,1048)	3	Names of the physician(s) who are responsible for overall patient care at time of Study (see Section C.7.3.1 for Performing Physician)	Roundtrip supported
Physician(s) of Record Identification Sequence	(0008,1049)	3	Identification of the physician(s) who are responsible for overall patient care at time of Study. One or more items shall be included in this sequence. If more than one Item, the number and order shall correspond to the value of Physician(s) of Record (0008,1048), if present.	*** not supported ***
> Person Identification Code Sequence	(0040,1101)	1	A coded entry which identifies a person. The Code Meaning attribute, though it will be encoded with a VR of LO, may be encoded according to the rules of the PN VR (e.g. caret '^' delimiters shall separate name components), except that a single component (i.e. the whole name unseparated by caret delimiters) is not permitted. Name component groups for use with multi-byte character sets are permitted, as long as they fit within the 64 characters (the length of the LO VR). One or more Items may be permitted in this Sequence.	*** not supported ***
>> Code Value	(0008,0100)	1C	See Section 8.1. Required if a sequence item is present.	*** not supported ***

Attribute Name	Tag	T	Attribute Description	TXA Model Support
>> Coding Scheme Designator	(0008,0102)	1C	See Section 8.2. Required if a sequence item is present.	*** not supported ***
>> Coding Scheme Version	(0008,0103)	1C	See Section 8.2. Required if a sequence item is present and the value of Coding Scheme Designator (0008,0102) is not sufficient to identify the Code Value (0008,0100) unambiguously.	*** not supported ***
>> Code Meaning	(0008,0104)	1C	See Section 8.3. Required if a sequence item is present.	*** not supported ***
> Person's Address	(0040,1102)	3	Person's mailing address	*** not supported ***
> Person's Telephone Numbers	(0040,1103)	3	Person's telephone number(s)	*** not supported ***
> Institution Name	(0008,0080)	1C	Institution or organization to which the identified individual is responsible or accountable. Shall not be present if Institution Code Sequence (0008,0082) is present.	*** not supported ***
> Institution Address	(0008,0081)	3	Mailing address of the institution or organization to which the identified individual is responsible or accountable.	*** not supported ***
> Institution Code Sequence	(0008,0082)	1C	Institution or organization to which the identified individual is responsible or accountable. Shall not be present if Institution Name (0008,0080) is present. Only a single Item shall be permitted in this Sequence.	*** not supported ***
>> Code Value	(0008,0100)	1C	See Section 8.1. Required if a sequence item is present.	*** not supported ***
>> Coding Scheme Designator	(0008,0102)	1C	See Section 8.2. Required if a sequence item is present.	*** not supported ***
>> Coding Scheme Version	(0008,0103)	1C	See Section 8.2. Required if a sequence item is present and the value of Coding Scheme Designator (0008,0102) is not sufficient to identify the Code Value (0008,0100) unambiguously.	*** not supported ***
>> Code Meaning	(0008,0104)	1C	See Section 8.3. Required if a sequence item is present.	*** not supported ***
Name of Physician(s) Reading Study	(0008,1060)	3	Names of the physician(s) reading the Study.	*** not supported ***

Attribute Name	Tag	T	Attribute Description	TXA Model Support
Physician(s) Reading Study Identification Sequence	(0008,1062)	3	Identification of the physician(s) reading the Study. One or more items shall be included in this sequence. If more than one Item, the number and order shall correspond to the value of Name of Physician(s) Reading Study (0008,1060), if present.	*** not supported ***
> Person Identification Code Sequence	(0040,1101)	1	A coded entry which identifies a person. The Code Meaning attribute, though it will be encoded with a VR of LO, may be encoded according to the rules of the PN VR (e.g. caret '^' delimiters shall separate name components), except that a single component (i.e. the whole name unseparated by caret delimiters) is not permitted. Name component groups for use with multi-byte character sets are permitted, as long as they fit within the 64 characters (the length of the LO VR). One or more Items may be permitted in this Sequence.	*** not supported ***
>> Code Value	(0008,0100)	1C	See Section 8.1. Required if a sequence item is present.	*** not supported ***
>> Coding Scheme Designator	(0008,0102)	1C	See Section 8.2. Required if a sequence item is present.	*** not supported ***
>> Coding Scheme Version	(0008,0103)	1C	See Section 8.2. Required if a sequence item is present and the value of Coding Scheme Designator (0008,0102) is not sufficient to identify the Code Value (0008,0100) unambiguously.	*** not supported ***
>> Code Meaning	(0008,0104)	1C	See Section 8.3. Required if a sequence item is present.	*** not supported ***
> Person's Address	(0040,1102)	3	Person's mailing address	*** not supported ***
> Person's Telephone Numbers	(0040,1103)	3	Person's telephone number(s)	*** not supported ***
> Institution Name	(0008,0080)	1C	Institution or organization to which the identified individual is responsible or accountable. Shall not be present if Institution Code Sequence (0008,0082) is present.	*** not supported ***
> Institution Address	(0008,0081)	3	Mailing address of the institution or organization to which the identified individual is responsible or accountable.	*** not supported ***

Attribute Name	Tag	T	Attribute Description	TXA Model Support
> Institution Code Sequence	(0008,0082)	1C	Institution or organization to which the identified individual is responsible or accountable. Shall not be present if Institution Name (0008,0080) is present. Only a single Item shall be permitted in this Sequence.	*** not supported ***
>> Code Value	(0008,0100)	1C	See Section 8.1. Required if a sequence item is present.	*** not supported ***
>> Coding Scheme Designator	(0008,0102)	1C	See Section 8.2. Required if a sequence item is present.	*** not supported ***
>> Coding Scheme Version	(0008,0103)	1C	See Section 8.2. Required if a sequence item is present and the value of Coding Scheme Designator (0008,0102) is not sufficient to identify the Code Value (0008,0100) unambiguously.	*** not supported ***
>> Code Meaning	(0008,0104)	1C	See Section 8.3. Required if a sequence item is present.	*** not supported ***
Referenced Study Sequence	(0008,1110)	3	A sequence that provides reference to a Study SOP Class/Instance pair. The sequence may have zero or more Items.	*** not supported ***
> Referenced SOP Class UID	(0008,1150)	1C	Uniquely identifies the referenced SOP Class. Required if Referenced Study Sequence (0008,1110) is sent.	*** not supported ***
> Referenced SOP Instance UID	(0008,1155)	1C	Uniquely identifies the referenced SOP Instance. Required if Referenced Study Sequence (0008,1110) is sent.	*** not supported ***
Procedure Code Sequence	(0008,1032)	3	A Sequence that conveys the type of procedure performed. One or more Items may be included in this Sequence.	*** not supported ***
> Code Value	(0008,0100)	1C	See Section 8.1. Required if a sequence item is present.	*** not supported ***
> Coding Scheme Designator	(0008,0102)	1C	See Section 8.2. Required if a sequence item is present.	*** not supported ***
> Coding Scheme Version	(0008,0103)	1C	See Section 8.2. Required if a sequence item is present and the value of Coding Scheme Designator (0008,0102) is not sufficient to identify the Code Value (0008,0100) unambiguously.	*** not supported ***
> Code Meaning	(0008,0104)	1C	See Section 8.3. Required if a sequence item is present.	*** not supported ***

C.2.3 General Equipment – C.7.5.1

Attribute Name	Tag	T	Attribute Description	TXA Model Support
Manufacturer	(0008,0070)	2	Manufacturer of the equipment that produced the composite instances.	Roundtrip supported
Institution Name	(0008,0080)	3	Institution where the equipment that produced the composite instances is located.	Roundtrip supported
Institution Address	(0008,0081)	3	Mailing address of the institution where the equipment that produced the composite instances is located.	Roundtrip supported
Station Name	(0008,1010)	3	User defined name identifying the machine that produced the composite instances.	Roundtrip supported
Institutional Department Name	(0008,1040)	3	Department in the institution where the equipment that produced the composite instances is located.	Roundtrip supported
Manufacturer's Model Name	(0008,1090)	3	Manufacturer's model name of the equipment that produced the composite instances.	Roundtrip supported
Device Serial Number	(0018,1000)	3	Manufacturer's serial number of the equipment that produced the composite instances.	Roundtrip supported
Software Version(s)	(0018,1020)	3	Manufacturer's designation of software version of the equipment that produced the composite instances.	Roundtrip supported
Spatial Resolution	(0018,1050)	3	The inherent limiting resolution in mm of the acquisition equipment for high contrast objects for the data gathering and reconstruction technique chosen. If variable across the images of the series, the value at the image center.	Roundtrip supported
Date of Last Calibration	(0018,1200)	3	Date when the image acquisition device calibration was last changed in any way. Multiple entries may be used for additional calibrations at other times. See C.7.5.1.1.1 for further explanation.	Roundtrip supported
Time of Last Calibration	(0018,1201)	3	Time when the image acquisition device calibration was last changed in any way. Multiple entries may be used. See C.7.5.1.1.1 for further explanation.	Roundtrip supported

Attribute Name	Tag	T	Attribute Description	TXA Model Support
Pixel Padding Value	(0028,0120)	3	Value of pixels not present in the native image added to an image to pad to rectangular format. See C.7.5.1.1.2 for further explanation. Note: The Value Representation of this Attribute is determined by the value of Pixel Representation (0028,0103).	Roundtrip supported

C.2.4 RT Series – C.8.8.1

Attribute Name	Tag	T	Attribute Description	TXA Model Support
Modality	(0008,0060)	1	Type of equipment that originally acquired the data. Enumerated Values: RTIMAGE = RT Image RTDOSE = RT Dose RTSTRUCT = RT Structure Set RTPLAN = RT Plan RTRECORD = RT Treatment Record See C.8.8.1.1.	Roundtrip supported
Series Instance UID	(0020,000E)	1	Unique identifier of the series.	Roundtrip supported
Series Number	(0020,0011)	2	A number that identifies this series.	Roundtrip supported
Series Description	(0008,103E)	3	User provided description of the series.	Roundtrip supported.
Referenced Performed Procedure Step Sequence	(0008,1111)	3	Uniquely identifies the Performed Procedure Step SOP Instance to which the Series is related (e.g. a Modality or General-Purpose Performed Procedure Step SOP Instance). One or more items may be included in this sequence.	*** not supported ***

Attribute Name	Tag	T	Attribute Description	TXA Model Support
> Referenced SOP Class UID	(0008,1150)	1C	Uniquely identifies the referenced SOP Class. Required if Referenced Performed Procedure Step Sequence (0008,1111) is sent.	*** not supported ***
> Referenced SOP Instance UID	(0008,1155)	1C	Uniquely identifies the referenced SOP Instance. Required if Referenced Performed Procedure Step Sequence (0008,1111) is sent.	*** not supported ***
Request Attributes Sequence	(0040,0275)	3	Sequence that contains attributes from the Imaging Service Request. The sequence may have one or more Items.	*** not supported ***
> Requested Procedure ID	(0040,1001)	1	Identifier that identifies the Requested Procedure in the Imaging Service Request.	*** not supported ***
> Reason for the Requested Procedure	(0040,1002)	3	Reason for requesting this procedure.	*** not supported ***
> Reason for Requested Procedure Code Sequence	(0040,100A)	3	Coded Reason for requesting this procedure.	*** not supported ***
>> Code Value	(0008,0100)	1C	See Section 8.1. Required if a sequence item is present.	*** not supported ***
>> Coding Scheme Designator	(0008,0102)	1C	See Section 8.2. Required if a sequence item is present.	*** not supported ***
>> Coding Scheme Version	(0008,0103)	1C	See Section 8.2. Required if a sequence item is present and the value of Coding Scheme Designator (0008,0102) is not sufficient to identify the Code Value (0008,0100) unambiguously.	*** not supported ***
>> Code Meaning	(0008,0104)	1C	See Section 8.3. Required if a sequence item is present.	*** not supported ***
> Scheduled Procedure Step ID	(0040,0009)	1	Identifier that identifies the Scheduled Procedure Step.	*** not supported ***
> Scheduled Procedure Step Description	(0040,0007)	3	Institution-generated description or classification of the Scheduled Procedure Step to be performed.	*** not supported ***

Attribute Name	Tag	T	Attribute Description	TXA Model Support
> Scheduled Protocol Code Sequence	(0040,0008)	3	Sequence describing the Scheduled Protocol following a specific coding scheme. This sequence contains one or more Items.	*** not supported ***
>> Code Value	(0008,0100)	1C	See Section 8.1. Required if a sequence item is present.	*** not supported ***
>> Coding Scheme Designator	(0008,0102)	1C	See Section 8.2. Required if a sequence item is present.	*** not supported ***
>> Coding Scheme Version	(0008,0103)	1C	See Section 8.2. Required if a sequence item is present and the value of Coding Scheme Designator (0008,0102) is not sufficient to identify the Code Value (0008,0100) unambiguously.	*** not supported ***
>> Code Meaning	(0008,0104)	1C	See Section 8.3. Required if a sequence item is present.	*** not supported ***
>> Protocol Context Sequence	(0040,0440)	3	Sequence that specifies the context for the Scheduled Protocol Code Sequence Item. One or more items may be included in this sequence.	*** not supported ***
>>> Code Value	(0008,0100)	1C	See Section 8.1. Required if a sequence item is present.	*** not supported ***
>>> Coding Scheme Designator	(0008,0102)	1C	See Section 8.2. Required if a sequence item is present.	*** not supported ***
>>> Coding Scheme Version	(0008,0103)	1C	See Section 8.2. Required if a sequence item is present and the value of Coding Scheme Designator (0008,0102) is not sufficient to identify the Code Value (0008,0100) unambiguously.	*** not supported ***
>>> Code Meaning	(0008,0104)	1C	See Section 8.3. Required if a sequence item is present.	*** not supported ***
>>> Content Item Modifier Sequence	(0040,0441)	3	Sequence that specifies modifiers for a Protocol Context Content Item. One or more items may be included in this sequence. See Section C.4.10.1.	*** not supported ***
>>>> Code Value	(0008,0100)	1C	See Section 8.1. Required if a sequence item is present.	*** not supported ***
>>>> Coding Scheme Designator	(0008,0102)	1C	See Section 8.2. Required if a sequence item is present.	*** not supported ***

Attribute Name	Tag	T	Attribute Description	TXA Model Support
>>>> Coding Scheme Version	(0008,0103)	1C	See Section 8.2. Required if a sequence item is present and the value of Coding Scheme Designator (0008,0102) is not sufficient to identify the Code Value (0008,0100) unambiguously.	*** not supported ***
>>>> Code Meaning	(0008,0104)	1C	See Section 8.3. Required if a sequence item is present.	*** not supported ***
Performed Procedure Step ID	(0040,0253)	3	User or equipment generated identifier of that part of a Procedure that has been carried out within this step.	*** not supported ***
Performed Procedure Step Start Date	(0040,0244)	3	Date on which the Performed Procedure Step started.	*** not supported ***
Performed Procedure Step Start Time	(0040,0245)	3	Time on which the Performed Procedure Step started.	*** not supported ***
Performed Procedure Step Description	(0040,0254)	3	Institution-generated description or classification of the Procedure Step that was performed.	*** not supported ***
Performed Protocol Code Sequence	(0040,0260)	3	Sequence describing the Protocol performed for this Procedure Step. One or more Items may be included in this Sequence.	*** not supported ***
> Code Value	(0008,0100)	1C	See Section 8.1. Required if a sequence item is present.	*** not supported ***
> Coding Scheme Designator	(0008,0102)	1C	See Section 8.2. Required if a sequence item is present.	*** not supported ***
> Coding Scheme Version	(0008,0103)	1C	See Section 8.2. Required if a sequence item is present and the value of Coding Scheme Designator (0008,0102) is not sufficient to identify the Code Value (0008,0100) unambiguously.	*** not supported ***
> Code Meaning	(0008,0104)	1C	See Section 8.3. Required if a sequence item is present.	*** not supported ***
> Protocol Context Sequence	(0040,0440)	3	Sequence that specifies the context for the Performed Protocol Code Sequence Item. One or more items may be included in this sequence.	*** not supported ***

Attribute Name	Tag	T	Attribute Description	TXA Model Support
>> Value Type	(0040,A040)	1	The type of the value encoded in this name-value Item. Defined Terms: DATETIME DATE TIME PNAME UIDREF TEXT CODE NUMERIC.	*** not supported ***
>> Concept Name Code Sequence	(0040,A043)	1	Coded concept name of this name-value Item.	*** not supported ***
>>> Code Value	(0008,0100)	1C	See Section 8.1. Required if a sequence item is present.	*** not supported ***
>>> Coding Scheme Designator	(0008,0102)	1C	See Section 8.2. Required if a sequence item is present.	*** not supported ***
>>> Coding Scheme Version	(0008,0103)	1C	See Section 8.2. Required if a sequence item is present and the value of Coding Scheme Designator (0008,0102) is not sufficient to identify the Code Value (0008,0100) unambiguously.	*** not supported ***
>>> Code Meaning	(0008,0104)	1C	See Section 8.3. Required if a sequence item is present.	*** not supported ***
>> DateTime	(0040,A120)	1C	Datetime value for this name-value Item. Required if Value Type (0040,A040) is DATETIME.	*** not supported ***
>> Date	(0040,A121)	1C	Date value for this name-value Item. Required if Value Type (0040,A040) is DATE.	*** not supported ***
>> Time	(0040,A122)	1C	Time value for this name-value Item. Required if Value Type (0040,A040) is TIME.	*** not supported ***
>> Person Name	(0040,A123)	1C	Person name value for this name-value Item. Required if Value Type (0040,A040) is PNAME.	*** not supported ***

Attribute Name	Tag	T	Attribute Description	TXA Model Support
>> UID	(0040,A124)	1C	UID value for this name-value Item. Required if Value Type (0040,A040) is UIDREF.	*** not supported ***
>> Text Value	(0040,A160)	1C	Text value for this name-value Item. Required if Value Type (0040,A040) is TEXT.	*** not supported ***
>> Concept Code Sequence	(0040,A168)	1C	Coded concept value of this name-value Item. Required if Value Type (0040,A040) is CODE.	*** not supported ***
>>> Code Value	(0008,0100)	1C	See Section 8.1. Required if a sequence item is present.	*** not supported ***
>>> Coding Scheme Designator	(0008,0102)	1C	See Section 8.2. Required if a sequence item is present.	*** not supported ***
>>> Coding Scheme Version	(0008,0103)	1C	See Section 8.2. Required if a sequence item is present and the value of Coding Scheme Designator (0008,0102) is not sufficient to identify the Code Value (0008,0100) unambiguously.	*** not supported ***
>>> Code Meaning	(0008,0104)	1C	See Section 8.3. Required if a sequence item is present.	*** not supported ***
>> Numeric Value	(0040,A30A)	1C	Numeric value for this name-value Item. Required if Value Type (0040,A040) is NUMERIC.	*** not supported ***
>> Measurement Units Code Sequence	(0040,08EA)	1C	Units of measurement for a numeric value in this namevalue Item. Required if Value Type (0040,A040) is NUMERIC.	*** not supported ***
>>> Code Value	(0008,0100)	1C	See Section 8.1. Required if a sequence item is present.	*** not supported ***
>>> Coding Scheme Designator	(0008,0102)	1C	See Section 8.2. Required if a sequence item is present.	*** not supported ***
>>> Coding Scheme Version	(0008,0103)	1C	See Section 8.2. Required if a sequence item is present and the value of Coding Scheme Designator (0008,0102) is not sufficient to identify the Code Value (0008,0100) unambiguously.	*** not supported ***
>>> Code Meaning	(0008,0104)	1C	See Section 8.3. Required if a sequence item is present.	*** not supported ***
>> Content Item Modifier Sequence	(0040,0441)	3	Sequence that specifies modifiers for a Protocol Context Content Item. One or more items may be included in this sequence. See Section C.4.10.1.	*** not supported ***

Attribute Name	Tag	T	Attribute Description	TXA Model Support
>>> Value Type	(0040,A040)	1	The type of the value encoded in this name-value Item. Defined Terms: DATETIME DATE TIME PNAME UIDREF TEXT CODE NUMERIC.	*** not supported ***
>>> Concept Name Code Sequence	(0040,A043)	1	Coded concept name of this name-value Item.	*** not supported ***
>>>> Code Value	(0008,0100)	1C	See Section 8.1. Required if a sequence item is present.	*** not supported ***
>>>> Coding Scheme Designator	(0008,0102)	1C	See Section 8.2. Required if a sequence item is present.	*** not supported ***
>>>> Coding Scheme Version	(0008,0103)	1C	See Section 8.2. Required if a sequence item is present and the value of Coding Scheme Designator (0008,0102) is not sufficient to identify the Code Value (0008,0100) unambiguously.	*** not supported ***
>>>> Code Meaning	(0008,0104)	1C	See Section 8.3. Required if a sequence item is present.	*** not supported ***
>>> DateTime	(0040,A120)	1C	Datetime value for this name-value Item. Required if Value Type (0040,A040) is DATETIME.	*** not supported ***
>>> Date	(0040,A121)	1C	Date value for this name-value Item. Required if Value Type (0040,A040) is DATE.	*** not supported ***
>>> Time	(0040,A122)	1C	Time value for this name-value Item. Required if Value Type (0040,A040) is TIME.	*** not supported ***
>>> Person Name	(0040,A123)	1C	Person name value for this name-value Item. Required if Value Type (0040,A040) is PNAME.	*** not supported ***

Attribute Name	Tag	T	Attribute Description	TXA Model Support
>>> UID	(0040,A124)	1C	UID value for this name-value Item. Required if Value Type (0040,A040) is UIDREF.	*** not supported ***
>>> Text Value	(0040,A160)	1C	Text value for this name-value Item. Required if Value Type (0040,A040) is TEXT.	*** not supported ***
>>> Concept Code Sequence	(0040,A168)	1C	Coded concept value of this name-value Item. Required if Value Type (0040,A040) is CODE.	*** not supported ***
>>>> Code Value	(0008,0100)	1C	See Section 8.1. Required if a sequence item is present.	*** not supported ***
>>>> Coding Scheme Designator	(0008,0102)	1C	See Section 8.2. Required if a sequence item is present.	*** not supported ***
>>>> Coding Scheme Version	(0008,0103)	1C	See Section 8.2. Required if a sequence item is present and the value of Coding Scheme Designator (0008,0102) is not sufficient to identify the Code Value (0008,0100) unambiguously.	*** not supported ***
>>>> Code Meaning	(0008,0104)	1C	See Section 8.3. Required if a sequence item is present.	*** not supported ***
>>> Numeric Value	(0040,A30A)	1C	Numeric value for this name-value Item. Required if Value Type (0040,A040) is NUMERIC.	*** not supported ***
>>> Measurement Units Code Sequence	(0040,08EA)	1C	Units of measurement for a numeric value in this namevalue Item. Required if Value Type (0040,A040) is NUMERIC.	*** not supported ***
>>>> Code Value	(0008,0100)	1C	See Section 8.1. Required if a sequence item is present.	*** not supported ***
>>>> Coding Scheme Designator	(0008,0102)	1C	See Section 8.2. Required if a sequence item is present.	*** not supported ***
>>>> Coding Scheme Version	(0008,0103)	1C	See Section 8.2. Required if a sequence item is present and the value of Coding Scheme Designator (0008,0102) is not sufficient to identify the Code Value (0008,0100) unambiguously.	*** not supported ***
>>>> Code Meaning	(0008,0104)	1C	See Section 8.3. Required if a sequence item is present.	*** not supported ***

C.2.5 RT General Plan – C.8.8.9

Attribute Name	Tag	T	Attribute Description	TXA Model Support
RT Plan Label	(300A,0002)	1	User-defined label for treatment plan.	Roundtrip supported
RT Plan Name	(300A,0003)	3	User-defined name for treatment plan.	Roundtrip supported
RT Plan Description	(300A,0004)	3	User-defined description of treatment plan.	Roundtrip supported
Instance Number	(0020,0013)	3	A number that identifies this object instance.	*** not supported ***
Operators' Name	(0008,1070)	2	Name of operator(s) creating treatment plan.	Roundtrip supported
RT Plan Date	(300A,0006)	2	Date treatment plan was last modified.	Roundtrip supported
RT Plan Time	(300A,0007)	2	Time treatment plan was last modified.	Roundtrip supported
Treatment Protocols	(300A,0009)	3	Planned treatment protocols.	*** not supported ***
Plan Intent	(300A,000A)	3	Intent of this plan. Defined Terms: CURATIVE = curative therapy on patient PALLIATIVE = palliative therapy on patient PROPHYLACTIC = preventative therapy on patient VERIFICATION = verification of patient plan using phantom MACHINE_QA = Quality assurance of the delivery machine (independently of a specific patient) RESEARCH = Research project SERVICE = Machine repair or maintenance operation	*** not supported ***
Treatment Sites	(300A,000B)	3	Planned treatment sites.	*** not supported ***
RT Plan Geometry	(300A,000C)	1	Describes whether RT Plan is based on patient or treatment device geometry. See C.8.8.9.1. Defined Terms: PATIENT = RT Structure Set exists TREATMENT_DEVICE = RT Structure Set does not exist	Roundtrip supported

Attribute Name	Tag	T	Attribute Description	TXA Model Support
Referenced Structure Set Sequence	(300C,0060)	1C	Introduces sequence of one Class/Instance pair describing instance of RT Structure Set on which the RT Plan is based. Only a single item shall be permitted in this sequence. Required if RT Plan Geometry (300A,000C) is PATIENT.	Roundtrip supported
> Referenced SOP Class UID	(0008,1150)	1C	Uniquely identifies the referenced SOP Class. Required if Referenced Structure Set Sequence (300C,0060) is sent.	Roundtrip supported
> Referenced SOP Instance UID	(0008,1155)	1C	Uniquely identifies the referenced SOP Instance. Required if Referenced Structure Set Sequence (300C,0060) is sent.	Roundtrip supported
Referenced Dose Sequence	(300C,0080)	3	Introduces sequence of related SOP Class/Instance pairs describing related instances of RT Dose (for grids and named/unnamed point doses). One or more items may be included in this sequence. See Note 1.	*** not supported ***
> Referenced SOP Class UID	(0008,1150)	1C	Uniquely identifies the referenced SOP Class. Required if Referenced RT Dose Sequence (300C,0080) is sent.	*** not supported ***
> Referenced SOP Instance UID	(0008,1155)	1C	Uniquely identifies the referenced SOP Instance. Required if Referenced RT Dose Sequence (300C,0080) is sent.	*** not supported ***
Referenced RT Plan Sequence	(300C,0002)	3	Introduces sequence of related SOP Class/Instance pairs describing related instances of RT Plan. One or more items may be included in this sequence.	Roundtrip supported
> Referenced SOP Class UID	(0008,1150)	1C	Uniquely identifies the referenced SOP Class. Required if Referenced RT Plan Sequence (300C,0002) is sent.	Roundtrip supported
> Referenced SOP Instance UID	(0008,1155)	1C	Uniquely identifies the referenced SOP Instance. Required if Referenced RT Plan Sequence (300C,0002) is sent.	Roundtrip supported

Attribute Name	Tag	T	Attribute Description	TXA Model Support
> RT Plan Relationship	(300A,0055)	1C	Relationship of referenced plan with respect to current plan. Required if Referenced RT Plan Sequence (300C,0002) is sent. Defined Terms: PRIOR = plan delivered prior to current treatment ALTERNATIVE = alternative plan prepared for current treatment PREDECESSOR = plan used in derivation of current plan VERIFIED_PLAN = plan which is verified using the current plan. This value shall only be used if Plan Intent (300A,000A) is present and has a value of VERIFICATION.	Roundtrip supported
Beam Line Data Table Version	(300B,1008)	3	Version Number that is set for Look-up Table (and/or for each beam tune in Look-up Table in future)	*** not supported ***
Plan Integrity Sequence	(3287,XX00)	3	Introduces sequence of checksum on dose-relevant data in this RT Plan. Exactly one item may be included in this sequence.	Roundtrip supported
> Plan Integrity Hash	(3287,XX01)	1	Hash value calculated from selected data of this RT Plan along a specific algorithm whose version number is specified in Plan Integrity Hash Version (3287,xx02).	Roundtrip supported
> Plan Integrity Hash Version	(3287,XX02)	1	Version of hash algorithm used to calculate value of Plan Integrity Hash (3287,xx01).	Roundtrip supported

C.2.6 RT Prescription – C.8.8.10

Attribute Name	Tag	T	Attribute Description	TXA Model Support
Prescription Description	(300A,000E)	3	User-defined description of treatment prescription.	Roundtrip supported

Attribute Name	Tag	T	Attribute Description	TXA Model Support
Dose Reference Sequence	(300A,0010)	3	Introduces sequence of Dose References. One or more items may be included in this sequence.	Roundtrip supported
> Dose Reference Number	(300A,0012)	1C	Identification number of the Dose Reference. The value of Dose Reference Number (300A,0012) shall be unique within the RT Plan in which it is created. Required if Dose Reference Sequence (300A,0012) is sent.	Roundtrip supported
> Dose Reference UID	(300A,0013)	3	A unique identifier for a Dose Reference that can be used to link the same entity across multiple RT Plan objects.	*** not supported ***
> Dose Reference Structure Type	(300A,0014)	1C	Structure type of Dose Reference. Required if Dose Reference Sequence (300A,0010) is sent. Defined Terms: POINT = dose reference point specified as ROI VOLUME = dose reference volume specified as ROI COORDINATES = point specified by Dose Reference Point Coordinates (300A,0018) SITE = dose reference clinical site	Roundtrip supported
> Dose Reference Description	(300A,0016)	3	User-defined description of Dose Reference.	Roundtrip supported
> Referenced ROI Number	(3006,0084)	1C	Uniquely identifies ROI representing the dose reference specified by ROI Number (3006,0022) in Structure Set ROI Sequence (3006,0020) in Structure Set Module within RT Structure Set in Referenced Structure Set Sequence (300C,0060) in RT General Plan Module. Required if Dose Reference Structure Type (300A,0014) is POINT or VOLUME and Dose Reference Sequence (300A,0010) is sent.	Roundtrip supported

Attribute Name	Tag	T	Attribute Description	TXA Model Support
> Dose Reference Point Coordinates	(300A,0018)	1C	Coordinates (x,y,z) of Reference Point in the patient based coordinate system described in C.7.6.2.1.1 (mm). Required if Dose Reference Structure Type (300A,0014) is COORDINATES and Dose Reference Sequence (300A,0010) is sent.	Roundtrip supported
> Nominal Prior Dose	(300A,001A)	3	Dose (in Gy) from prior treatment to this Dose Reference (e.g. from a previous course of treatment).	Roundtrip supported
> Dose Reference Type	(300A,0020)	1C	Type of Dose Reference. Required if Dose Reference Sequence (300A,0010) is sent. Defined Terms: TARGET = treatment target (corresponding to GTV, PTV, or CTV in ICRU50) ORGAN_AT_RISK = Organ at Risk (as defined in ICRU50)	Roundtrip supported
> Constraint Weight	(300A,0021)	3	Relative importance of satisfying constraint, where high values represent more important constraints.	Roundtrip supported
> Delivery Warning Dose	(300A,0022)	3	The dose (in Gy) which when reached or exceeded should cause some action to be taken.	Roundtrip supported
> Delivery Maximum Dose	(300A,0023)	3	The maximum dose (in Gy) which can be delivered to the dose reference.	Roundtrip supported
> Target Minimum Dose	(300A,0025)	3	Minimum permitted dose (in Gy) to Dose Reference if Dose Reference Type (300A,0020) is TARGET.	*** not supported ***
> Target Prescription Dose	(300A,0026)	3	Prescribed dose (in Gy) to Dose Reference if Dose Reference Type (300A,0020) is TARGET.	Roundtrip supported
> Target Maximum Dose	(300A,0027)	3	Maximum permitted dose (in Gy) to Dose Reference if Dose Reference Type (300A,0020) is TARGET.	Roundtrip supported
> Referenced Patient Volume Id	(3267,XX00)	3		*** not supported **

Attribute Name	Tag	T	Attribute Description	TXA Model Support
> Target Underdose Volume Fraction	(300A,0028)	3	Maximum permitted fraction (in percent) of Target to receive less than the Target Prescription Dose if Dose Reference Type (300A,0020) is TARGET and Dose Reference Structure Type (300A,0014) is VOLUME. See C.8.8.10.1.	*** not supported ***
> Organ at Risk Full-volume Dose	(300A,002A)	3	Maximum dose (in Gy) to entire Dose Reference if Dose Reference Type (300A,0020) is ORGAN_AT_RISK and Dose Reference Structure Type (300A,0014) is VOLUME.	*** not supported ***
> Organ at Risk Limit Dose	(300A,002B)	3	Maximum permitted dose (in Gy) to any part of Dose Reference if Dose Reference Type (300A,0020) is ORGAN_AT_RISK and Dose Reference Structure Type (300A,0014) is VOLUME.	Roundtrip supported
> Organ at Risk Maximum Dose	(300A,002C)	3	Maximum dose (in Gy) to non-overdosed part of Dose Reference if Dose Reference Type (300A,0020) is ORGAN_AT_RISK and Dose Reference Structure Type (300A,0014) is VOLUME.	Roundtrip supported
> Organ at Risk Overdose Volume Fraction	(300A,002D)	3	Maximum permitted fraction (in percent) of the Organ at Risk to receive more than the Organ at Risk Maximum Dose if Dose Reference Type (300A,0020) is ORGAN_AT_RISK and Dose Reference Structure Type (300A,0014) is VOLUME.	Roundtrip supported

C.2.7 RT Tolerance Tables – C.8.8.11

Attribute Name	Tag	T	Attribute Description	TXA Model Support
Tolerance Table Sequence	(300A,0040)	3	Introduces sequence of tolerance tables to be used for delivery of treatment plan. One or more items may be included in this sequence. See Note 1.	Roundtrip supported

Attribute Name	Tag	T	Attribute Description	TXA Model Support
> Tolerance Table Number	(300A,0042)	1C	Identification number of the Tolerance Table. The value of Tolerance Table Number (300A,0042) shall be unique within the RT Plan in which it is created. Required if Tolerance Table Sequence (300A,0040) is sent.	Roundtrip supported.
> Tolerance Table Label	(300A,0043)	3	User-defined label for Tolerance Table.	Roundtrip supported
> Gantry Angle Tolerance	(300A,0044)	3	Maximum permitted difference (in degrees) between planned and delivered Gantry Angle.	Roundtrip supported
> Gantry Pitch Angle Tolerance	(300A,014E)	3	Maximum permitted difference (in degrees) between planned and delivered Gantry Pitch Angle.	*** not supported ***
> Beam Limiting Device Angle Tolerance	(300A,0046)	3	Maximum permitted difference (in degrees) between planned and delivered Beam Limiting Device Angle.	Roundtrip supported
> Beam Limiting Device Tolerance Sequence	(300A,0048)	3	Introduces sequence of beam limiting device (collimator) tolerances. One or more items may be included in this sequence.	Roundtrip supported
>> RT Beam Limiting Device Type	(300A,00B8)	1C	Type of beam limiting device (collimator). Required if Beam Limiting Device Tolerance Sequence (300A,0048) is sent. Enumerated Values: X = symmetric jaw pair in IEC X direction Y = symmetric jaw pair in IEC Y direction ASYMX = asymmetric jaw pair in IEC X direction ASYMY = asymmetric pair in IEC Y direction MLCX = multileaf (multi-element) jaw pair in IEC X direction MLCY = multileaf (multi-element) jaw pair in IEC Y direction	Roundtrip supported

Attribute Name	Tag	T	Attribute Description	TXA Model Support
>> Beam Limiting Device Position Tolerance	(300A,004A)	1C	Maximum permitted difference (in mm) between planned and delivered leaf (element) or jaw positions for current beam limiting device (collimator). Required if Beam Limiting Device Tolerance Sequence (300A,0048) is sent.	Roundtrip supported
> Patient Support Angle Tolerance	(300A,004C)	3	Maximum permitted difference (in degrees) between planned and delivered Patient Support Angle.	Roundtrip supported
> Table Top Eccentric Angle Tolerance	(300A,004E)	3	Maximum permitted difference (in degrees) between planned and delivered Table Top Eccentric Angle.	Roundtrip supported
> Table Top Pitch Angle Tolerance	(300A,004F)	3	Maximum permitted difference (in degrees) between the planned and delivered Table Top Pitch Angle.	*** not supported ****
> Table Top Roll Angle Tolerance	(300A,0050)	3	Maximum permitted difference (in degrees) between the planned and delivered Table Top Roll Angle.	*** not supported ***
> Table Top Vertical Position Tolerance	(300A,0051)	3	Maximum permitted difference (in mm) between planned and delivered Table Top Vertical Position.	Roundtrip supported
> Table Top Longitudinal Position Tolerance	(300A,0052)	3	Maximum permitted difference (in mm) between planned and delivered Table Top Longitudinal Position.	Roundtrip supported
> Table Top Lateral Position Tolerance	(300A,0053)	3	Maximum permitted difference (in mm) between planned and delivered Table Top Lateral Position.	Roundtrip supported

C.2.8 RT Patient Setup – C.8.8.12

Attribute Name	Tag	T	Attribute Description	TXA Model Support
Patient Setup Sequence	(300A,0180)	1	Introduces sequence of patient setup data for current plan. One or more items may be included in this sequence.	Roundtrip supported

Attribute Name	Tag	T	Attribute Description	TXA Model Support
> Patient Setup Number	(300A,0182)	1	Identification number of the Patient Setup. The value of Patient Setup Number (300A,0182) shall be unique within the RT Plan in which it is created.	Roundtrip supported
> Patient Setup Label	(300A,0183)	3	The user-defined label for the patient setup.	*** not supported ***
> Patient Position	(0018,5100)	1C	Patient position descriptor relative to the equipment. Required if Patient Additional Position (300A,0184) is not present. See Section C.7.3.1.1.2 for Defined Terms and further explanation.	Roundtrip supported
> Patient Additional Position	(300A,0184)	1C	User-defined additional description of patient position. Required if Patient Position (0018,5100) is not present.	*** not supported ***
> Referenced Image Setup Sequence	(300A,0401)	3	Introduces sequence of setup verification images for this patient setup. One or more items may be included in this sequence. See C.8.8.12.1.1	Roundtrip supported
>> Setup Image Comment	(300A,0402)	3	Comment on the Setup Image.	*** not supported ***
>> Referenced SOP Class UID	(0008,1150)	1	Uniquely identifies the referenced SOP Class.	*** not supported ***
>> Referenced SOP Instance UID	(0008,1155)	1	Uniquely identifies the referenced SOP Instance.	*** not supported ***
>> Referenced Frame Number	(0008,1160)	1	Identifies the frame numbers within the Referenced SOP Instance to which the reference applies. The first frame shall be denoted as frame number 1. Note: This Attribute may be multi-valued. Required if the Referenced SOP Instance is a multi-frame image and the reference does not apply to all frames.	*** not supported ***
> Fixation Device Sequence	(300A,0190)	3	Introduces sequence of Fixation Devices used in Patient Setup. One or more items may be included in this sequence.	*** not supported ***

Attribute Name	Tag	T	Attribute Description	TXA Model Support
>> Fixation Device Type	(300A,0192)	1C	Type of Fixation Device used during in Patient Setup. Required if Fixation Device Sequence (300A,0190) is sent. Defined Terms: BITEBLOCK HEADFRAME MASK MOLD CAST HEADREST BREAST_BOARD BODY_FRAME VACUUM_MOLD WHOLE_BODY_POD RECTAL_BALLOON	*** not supported ***
>> Fixation Device Label	(300A,0194)	2C	User-defined label identifier for Fixation Device. Required if Fixation Device Sequence (300A,0190) is sent.	*** not supported ***
>> Fixation Device Description	(300A,0196)	3	User-defined description of Fixation Device.	*** not supported ***
>> Fixation Device Position	(300A,0198)	3	Position/Notch number of Fixation Device.	*** not supported ***
>> Fixation Device Pitch Angle	(300A,0199)	3	The Fixation Device Pitch Angle, i.e. orientation of PITCHED FIXATION DEVICE coordinate system with respect to IEC PATIENT SUPPORT coordinate system (degrees). Pitching is the rotation around IEC PATIENT SUPPORT X-axis.	*** not supported ***
>> Fixation Device Roll Angle	(300A,019A)	3	The Fixation Device Roll Angle, i.e. orientation of ROLLED FIXATION DEVICE coordinate system with respect to IEC PITCHED FIXATION DEVICE coordinate system (degrees). Rolling is the rotation around IEC PATIENT SUPPORT Y-axis.	*** not supported ***

Attribute Name	Tag	T	Attribute Description	TXA Model Support
>> Accessory Code	(300A,00F9)	3	An identifier for the accessory intended to be read by a device such as a bar-code reader.	*** not supported ***
> Shielding Device Sequence	(300A,01A0)	3	Introduces sequence of Shielding Devices used in Patient Setup. One or more items may be included in this sequence.	*** not supported ***
>> Shielding Device Type	(300A,01A2)	1C	Type of Shielding Device used in Patient Setup. Required if Shielding Device Sequence (300A,01A0) is sent. Defined Terms: GUM EYE GONAD	*** not supported ***
>> Shielding Device Label	(300A,01A4)	2C	User-defined label for Shielding Device. Required if Shielding Device Sequence (300A,01A0) is sent.	*** not supported ***
>> Shielding Device Description	(300A,01A6)	3	User-defined description of Shielding Device.	*** not supported ***
>> Shielding Device Position	(300A,01A8)	3	Position/Notch number of Shielding Device.	*** not supported ***
>> Accessory Code	(300A,00F9)	3	An identifier for the accessory intended to be read by a device such as a bar-code reader.	*** not supported ***
> Setup Technique	(300A,01B0)	3	Setup Technique used in Patient Setup. Defined Terms: ISOCENTRIC FIXED_SSD TBI BREAST_BRIDGE SKIN_APPOSITION	*** not supported ***
> Setup Technique Description	(300A,01B2)	3	User-defined description of Setup Technique.	Roundtrip supported

Attribute Name	Tag	T	Attribute Description	TXA Model Support
> Setup Device Sequence	(300A,01B4)	3	Introduces sequence of devices used for patient alignment in Patient Setup. One or more items may be included in this sequence.	*** not supported ***
>> Setup Device Type	(300A,01B6)	1C	Type of Setup Device used for Patient alignment. Required if Setup Device Sequence (300A,01B4) is sent. Defined Terms: LASER_POINTER DISTANCE_METER TABLE_HEIGHT MECHANICAL_PTR ARC	*** not supported ***
>> Setup Device Label	(300A,01B8)	2C	User-defined label for Setup Device used for patient alignment. Required if Setup Device Sequence (300A,01B4) is sent.	*** not supported ***
>> Setup Device Description	(300A,01BA)	3	User-defined description for Setup Device used for patient alignment.	*** not supported ***
>> Setup Device Parameter	(300A,01BC)	2C	Setup Parameter for Setup Device in appropriate IEC 61217 coordinate system. Units shall be mm for distances and degrees for angles. Required if Setup Device Sequence (300A,011B4) is sent.	*** not supported ***
>> Setup Reference Description	(300A,01D0)	3	User-defined description of Setup Reference used for patient alignment.	*** not supported ***
> Table Top Vertical Setup Displacement	(300A,01D2)	3	Vertical Displacement in IEC TABLE TOP coordinate system (in mm) relative to initial Setup Position, i.e. vertical offset between patient positioning performed using setup and treatment position.	*** not supported ***
> Table Top Longitudinal Setup Displacement	(300A,01D4)	3	Longitudinal Displacement in IEC TABLE TOP coordinate system (in mm) relative to initial Setup Position, i.e. longitudinal offset between patient positioning performed using setup and treatment position.	*** not supported ***

Attribute Name	Tag	T	Attribute Description	TXA Model Support
> Table Top Lateral Setup Displacement	(300A,01D6)	3	Lateral Displacement in IEC TABLE TOP coordinate system (in mm) relative to initial Setup Position, i.e. lateral offset between patient positioning performed using setup and treatment position.	*** not supported ***

C.2.9 RT Fraction Scheme – C.8.8.13

Attribute Name	Tag	T	Attribute Description	TXA Model Support
Fraction Group Sequence	(300A,0070)	1	Introduces sequence of Fraction Groups in current Fraction Scheme. One or more items may be included in this sequence.	Roundtrip supported
> Fraction Group Number	(300A,0071)	1	Identification number of the Fraction Group. The value of Fraction Group Number (300A,0071) shall be unique within the RT Plan in which it is created.	Roundtrip supported
> Fraction Group Description	(300A,0072)	3	The user defined description for the fraction group.	*** not supported ***
> Referenced Dose Sequence	(300C,0080)	3	Introduces sequence of related SOP Class/Instance pairs describing related instances of RT Dose (for grids, isodose curves and named/unnamed point doses). One or more items may be included in this sequence. See Note 1.	*** not supported ***
>> Referenced SOP Class UID	(0008,1150)	1C	Uniquely identifies the referenced SOP Class. Required if Referenced Dose Sequence (300C,0080) is sent.	*** not supported ***
>> Referenced SOP Instance UID	(0008,1155)	1C	Uniquely identifies the referenced SOP Instance. Required if Referenced Dose Sequence (300C,0080) is sent.	*** not supported ***
> Referenced Dose Reference Sequence	(300C,0050)	3	Introduces sequence of Dose References for the current Fraction Group. One or more items may be included in this sequence.	*** not supported ***

Attribute Name	Tag	T	Attribute Description	TXA Model Support
>> Referenced Dose Reference Number	(300C,0051)	1C	Uniquely identifies Dose Reference specified by Dose Reference Number (300A,0012) within Dose Reference Sequence (300A,0010) in RT Prescription Module. Required if Referenced Dose Reference Sequence (300C,0050) is sent.	*** not supported ***
>> Constraint Weight	(300A,0021)	3	Relative importance of satisfying constraint, where high values represent more important constraints.	*** not supported ***
>> Delivery Warning Dose	(300A,0022)	3	The dose (in Gy) which when reached or exceeded should cause some action to be taken.	*** not supported ***
>> Delivery Maximum Dose	(300A,0023)	3	The maximum dose (in Gy) which can be delivered to the dose reference.	*** not supported ***
>> Target Minimum Dose	(300A,0025)	3	Minimum permitted dose (in Gy) to Dose Reference if Dose Reference Type (300A,0020) of referenced Dose Reference is TARGET.	*** not supported ***
>> Target Prescription Dose	(300A,0026)	3	Prescribed dose (in Gy) to Dose Reference if Dose Reference Type (300A,0020) of referenced Dose Reference is TARGET.	*** not supported ***
>> Target Maximum Dose	(300A,0027)	3	Maximum permitted dose (in Gy) to Dose Reference if Dose Reference Type (300A,0020) of referenced Dose Reference is TARGET.	*** not supported ***
>> Target Underdose Volume Fraction	(300A,0028)	3	Maximum permitted fraction (in percent) of Target to receive less than the Target Prescription Dose (300A,0027) if Dose Reference Type (300A,0020) of referenced Dose Reference is TARGET and Dose Reference Structure Type (300A,0014) of referenced Dose Reference is VOLUME.	*** not supported ***
>> Organ at Risk Full-volume Dose	(300A,002A)	3	Maximum dose (in Gy) to entire Dose Reference if Dose Reference Type (300A,0020) of referenced Dose Reference is ORGAN_AT_RISK and Dose Reference Structure Type (300A,0014) of referenced Dose Reference is VOLUME.	*** not supported ***

Attribute Name	Tag	T	Attribute Description	TXA Model Support
>> Organ at Risk Limit Dose	(300A,002B)	3	Maximum permitted dose (in Gy) to any part of Dose Reference if Dose Reference Type (300A,0020) of referenced Dose Reference is ORGAN_AT_RISK and Dose Reference Structure Type (300A,0014) of referenced Dose Reference is VOLUME.	*** not supported ***
>> Organ at Risk Maximum Dose	(300A,002C)	3	Maximum dose (in Gy) to non-overdosed part of Dose Reference if Dose Reference Type (300A,0020) of referenced Dose Reference is ORGAN_AT_RISK and Dose Reference Structure Type (300A,0014) of referenced Dose Reference is VOLUME.	*** not supported ***
>> Organ at Risk Overdose Volume Fraction	(300A,002D)	3	Maximum permitted fraction (in percent) of Organ at Risk to receive more than the Organ at Risk Maximum Dose if Dose Reference Type (300A,0020) of referenced Dose Reference is ORGAN_AT_RISK and Dose Reference Structure Type (300A,0014) of referenced Dose Reference is VOLUME.	*** not supported ***
> Number of Fractions Planned	(300A,0078)	2	Total number of treatments (Fractions) prescribed for current Fraction Group.	Roundtrip supported
> Number of Fraction Pattern Digits Per Day	(300A,0079)	3	Number of digits in Fraction Pattern (300A,007B) used to represent one day. See Note 2.	*** not supported ***
> Repeat Fraction Cycle Length	(300A,007A)	3	Number of weeks needed to describe treatment pattern. See Note 2.	*** not supported ***
> Fraction Pattern	(300A,007B)	3	String of 0's (no treatment) and 1's (treatment) describing treatment pattern. Length of string is 7 x Number of Fraction Pattern Digits Per Day x Repeat Fraction Cycle Length. Pattern shall start on a Monday. See Note 2.	Roundtrip supported
> Number of Beams	(300A,0080)	1	Number of Beams in current Fraction Group. If Number of Beams is greater than zero, Number of Brachy Application Setups (300A,00A0) shall equal zero.	Roundtrip supported

Attribute Name	Tag	T	Attribute Description	TXA Model Support
> Referenced Beam Sequence	(300C,0004)	1C	Introduces sequence of treatment beams in current Fraction Group. Required if Number of Beams (300A,0080) is greater than zero. One or more items may be included in this sequence.	Roundtrip supported
>> Referenced Beam Number	(300C,0006)	1C	Uniquely identifies Beam specified by Beam Number (300A,00C0) within Beam Sequence (300A,00B0) in RT Beams Module. Required if Referenced Beam Sequence (300C,0004) is sent.	Roundtrip supported
>> Beam Dose Specification Point	(300A,0082)	3	Coordinates (x,y,z) of point at which Beam Dose is specified in the patient based coordinate system described in C.7.6.2.1.1 (mm). See Note 3.	Roundtrip supported
>> Beam Dose	(300A,0084)	3	Dose (in Gy) at Beam Dose Specification Point (300A,0082) due to current Beam.	Roundtrip supported
>> Beam Meterset	(300A,0086)	3	Machine setting to be delivered for current Beam, specified in Monitor Units (MU) or minutes as defined by Primary Dosimeter Unit (300A,00B3) (in RT Beams Module) for referenced Beam. See Note 4.	Roundtrip supported
>> Maximum Treatment Time	(3249,XX00)	3	The maximum treatment time, which should not be exceeded. This items serves as a secondary safety limit besides the Beam Meterset value (300A,0086) itself. Units in [min].	Roundtrip supported
> Number of Brachy Application Setups	(300A,00A0)	1	Number of Brachy Application Setups in current Fraction Group. If Number of Brachy Application Setups is greater then zero, Number of Beams (300A,0080) shall equal zero.	*** not supported ***
> Referenced Brachy Application Setup Sequence	(300C,000A)	1C	Introduces sequence of treatment Brachy Application Setups in current Fraction Group. Required if Number of Brachy Application Setups (300A,00A0) is greater than zero. One or more items may be included in this sequence.	*** not supported ***

Attribute Name	Tag	T	Attribute Description	TXA Model Support
>> Referenced Brachy Application Setup Number	(300C,000C)	1C	Uniquely identifies Brachy Application Setup specified by Brachy Application Setup Number (300A,0234) within Brachy Application Setup Sequence (300A,0230) in RT Brachy Application Setups Module. Required if Referenced Brachy Application Setup Sequence (300C,000A) is sent.	*** not supported ***
>> Brachy Application Setup Dose Specification Point	(300A,00A2)	3	Coordinates (x,y,z) of point in the patient based coordinate system described in C.7.6.2.1.1 at which Brachy Application Setup Dose (300A,00A4) is specified (mm).	*** not supported ***
>> Brachy Application Setup Dose	(300A,00A4)	3	Dose (in Gy) at Brachy Application Setup Dose Specification Point (300A,00A2) due to current Brachy Application Setup.	*** not supported ***
> Prescribed Dose per Fraction	(3269,XX00)	3		*** not supported ***
> Prescribed Percentage	(3269,XX01)	3		*** not supported ***
> Plan Normalization Factor	(3269,XX02)	3		*** not supported ***

C.2.10 RT Beams – C.8.8.14

Attribute Name	Tag	T	Attribute Description	TXA Model Support
Beam Sequence	(300A,00B0)	1	Introduces sequence of treatment beams for current RT Plan. One or more items may be included in this sequence.	Roundtrip supported
> Beam Number	(300A,00C0)	1	Identification number of the Beam. The value of Beam Number (300A,00C0) shall be unique within the RT Plan in which it is created. See Note 1.	Roundtrip supported

Attribute Name	Tag	T	Attribute Description	TXA Model Support
> Beam Name	(300A,00C2)	3	User-defined name for Beam. See Note 1.	Roundtrip supported
> Beam Secondary Name	(3243,XX09)	3	User-defined secondary name for Beam.	Roundtrip supported
> Beam Description	(300A,00C3)	3	User-defined description for Beam. See Note 1.	Roundtrip supported
> Beam Type	(300A,00C4)	1	<p>Motion characteristic of Beam. See Note 5.</p> <p>Enumerated Values:</p> <p>STATIC = All Control Point Sequence (300A,0111) attributes remain unchanged between consecutive pairs of control points with changing Cumulative Meterset Weight (300A,0134).</p> <p>DYNAMIC = One or more Control Point Sequence (300A,0111) attributes change between one or more consecutive pairs of control points with changing Cumulative Meterset Weight (300A,0134).</p>	Roundtrip supported
> Radiation Type	(300A,00C6)	2	<p>Particle type of Beam.</p> <p>Defined Terms:</p> <p>PHOTON</p> <p>ELECTRON</p> <p>NEUTRON</p> <p>PROTON</p>	Roundtrip supported
> Primary Fluence Mode Sequence	(3002,0050)	3	Sequence defining whether the primary fluence of the treatment beam uses a non-standard fluence-shaping. Only a single Item shall be permitted in this sequence.	Roundtrip supported

Attribute Name	Tag	T	Attribute Description	TXA Model Support
>> Fluence Mode	(3002,0051)	1	Describes whether the fluence shaping is the standard mode for the beam or an alternate. Enumerated Values: STANDARD = Uses standard fluence-shaping NON_STANDARD = Uses a non-standard fluence-shaping mode	Roundtrip supported
>> Fluence Mode ID	(3002,0052)	1C	Identifier for the specific fluence-shaping mode. Required if Fluence Mode (3002,0051) has value NON_STANDARD.	Roundtrip supported
> Primary Fluence Mode Sequence (PRIVATE)	(3285,XX00)	3	See Primary Fluence Mode Sequence (3002,0050).	Roundtrip supported
>> Fluence Mode (PRIVATE)	(3285,XX01)	1	See Fluence Mode (3002,0051).	Roundtrip supported
>> Fluence Mode ID (PRIVATE)	(3285,XX02)	1C	See Fluence Mode ID (3002,0052).	Roundtrip supported
> High-Dose Technique Type	(300A,00C7)	1C	Type of high-dose treatment technique. Defined Terms: NORMAL = Standard treatment TBI = Total Body Irradiation HDR = High Dose Rate Following defined term is supported additionally: SRS = Stereotactic Radiosurgery Required if treatment technique requires a dose that would normally require overriding of treatment machine safety controls.	Roundtrip supported

Attribute Name	Tag	T	Attribute Description	TXA Model Support
> Treatment Machine Name	(300A,00B2)	2	User-defined name identifying treatment machine to be used for beam delivery. See Note 2.	Roundtrip supported
> Manufacturer	(0008,0070)	3	Manufacturer of the equipment to be used for beam delivery.	Roundtrip supported
> Institution Name	(0008,0080)	3	Institution where the equipment is located that is to be used for beam delivery.	Roundtrip supported
> Institution Address	(0008,0081)	3	Mailing address of the institution where the equipment is located that is to be used for beam delivery.	*** not supported ***
> Institutional Department Name	(0008,1040)	3	Department in the institution where the equipment is located that is to be used for beam delivery.	Roundtrip supported
> Manufacturer's Model Name	(0008,1090)	3	Manufacturer's model name of the equipment that is to be used for beam delivery.	Roundtrip supported
> Device Serial Number	(0018,1000)	3	Manufacturer's serial number of the equipment that is to be used for beam delivery.	Roundtrip supported
> Primary Dosimeter Unit	(300A,00B3)	3	Measurement unit of machine dosimeter. See C.8.8.14.1. Enumerated Values: MU = Monitor Unit MINUTE = minute	Roundtrip supported
> Referenced Tolerance Table Number	(300C,00A0)	3	Uniquely identifies Tolerance Table specified by Tolerance Table Number (300A,0042) within Tolerance Table Sequence in RT Tolerance Tables Module. These tolerances are to be used for verification of treatment machine settings.	Roundtrip supported
> Source-Axis Distance	(300A,00B4)	3	Radiation source to Gantry rotation axis distance of the equipment that is to be used for beam delivery (mm).	Roundtrip supported
> Beam Limiting Device Sequence	(300A,00B6)	1	Introduces sequence of beam limiting device (collimator) jaw or leaf (element) sets. One or more items may be included in this sequence.	Roundtrip supported

Attribute Name	Tag	T	Attribute Description	TXA Model Support
>> RT Beam Limiting Device Type	(300A,00B8)	1	Type of beam limiting device (collimator). Enumerated Values: X = symmetric jaw pair in IEC X direction Y = symmetric jaw pair in IEC Y direction ASYMX = asymmetric jaw pair in IEC X direction ASYMY = asymmetric pair in IEC Y direction MLCX = multileaf (multi-element) jaw pair in IEC X direction MLCY = multileaf (multi-element) jaw pair in IEC Y direction	Roundtrip supported
>> Source to Beam Limiting Device Distance	(300A,00BA)	3	Radiation source to beam limiting device (collimator) distance of the equipment that is to be used for beam delivery (mm).	Roundtrip supported
>> Number of Leaf/Jaw Pairs	(300A,00BC)	1	Number of leaf (element) or jaw pairs (equal to 1 for standard beam limiting device jaws).	Roundtrip supported
>> Leaf Position Boundaries	(300A,00BE)	2C	Boundaries of beam limiting device (collimator) leaves (in mm) in IEC BEAM LIMITING DEVICE coordinate axis appropriate to RT Beam Limiting Device Type (300A,00B8), i.e. X-axis for MLCY, Y- axis for MLCX. Contains N+1 values, where N is the Number of Leaf/Jaw Pairs (300A,00BC), starting from Leaf (Element) Pair 1. Required if Beam Limiting Device Sequence (300A,00B6) is sent and RT Beam Limiting Device Type (300A,00B8) is MLCX or MLCY. See Note 3.	Roundtrip supported
> Referenced Patient Setup Number	(300C,006A)	3	Uniquely identifies Patient Setup to be used for current beam, specified by Patient Setup Number (300A,0182) within Patient Setup Sequence of RT Patient Setup Module.	Roundtrip supported

Attribute Name	Tag	T	Attribute Description	TXA Model Support
> Referenced Reference Image Sequence	(300C,0042)	3	Introduces sequence of reference images used for validation of current beam. One or more items may be included in this sequence.	Roundtrip supported
>> Referenced SOP Class UID	(0008,1150)	1C	Uniquely identifies the referenced SOP Class. Required if Referenced Reference Image Sequence (300C,0042) is sent.	Roundtrip supported
>> Referenced SOP Instance UID	(0008,1155)	1C	Uniquely identifies the referenced SOP Instance. Required if Referenced Reference Image Sequence (300C,0042) is sent.	Roundtrip supported
>> Reference Image Number	(300A,00C8)	1C	Uniquely identifies Reference Image within Referenced Reference Image Sequence (300A,0042). Required if Referenced Reference Image Sequence (300A,0042) is sent.	Roundtrip supported
>> Start Cumulative Meterset Weight	(300C,0008)	3	Cumulative Meterset Weight within current Beam at which image acquisition starts.	*** not supported ***
>> End Cumulative Meterset Weight	(300C,0009)	3	Cumulative Meterset Weight within current Beam at which image acquisition ends.	*** not supported ***
> Planned Verification Image Sequence	(300A,00CA)	3	Introduces sequence of planned verification images to be acquired during current beam. One or more items may be included in this sequence. See C.8.8.14.2.	Roundtrip supported
>> Start Cumulative Meterset Weight	(300C,0008)	3	Cumulative Meterset Weight within current Beam at which image acquisition will start.	Roundtrip supported
>> Meterset Exposure	(3002,0032)	3	Meterset duration over which image is to be acquired, specified in Monitor units (MU) or minutes as defined by Primary Dosimeter Unit (300A,00B3).	Roundtrip supported
>> End Cumulative Meterset Weight	(300C,0009)	3	Cumulative Meterset Weight within current Beam at which image acquisition will end.	*** not supported ***

Attribute Name	Tag	T	Attribute Description	TXA Model Support
>> RT Image Plane	(3002,000C)	3	Describes whether or not image plane is normal to beam axis. Enumerated Values: NORMAL = image plane normal to beam axis NON_NORMAL = image plane non-normal to beam axis	Roundtrip supported
>> X-Ray Image Receptor Angle	(3002,000E)	3	X-Ray Image Receptor Angle i.e. orientation of IEC X-RAY IMAGE RECEPTOR coordinate system with respect to IEC GANTRY coordinate system (degrees). See C.8.8.14.3.	Roundtrip supported
>> RT Image Orientation	(3002,0010)	3	The direction cosines of the first row and the first column with respect to the IEC XRAY IMAGE RECEPTOR coordinate system.	*** not supported ***
>> RT Image Position	(3002,0012)	3	The x and y coordinates (in mm) of the upper left hand corner of the image, in the IEC X-RAY IMAGE RECEPTOR coordinate system. This is the center of the first pixel transmitted.	Roundtrip supported
>> RT Image SID	(3002,0026)	3	Radiation machine source to image plane distance (mm).	Roundtrip supported
>> Imaging Device-Specific Acquisition Parameters	(300A,00CC)	3	User-specified device-specific parameters that describe how the imager will acquire the image.	Roundtrip supported
>> Referenced Reference Image Number	(300C,0007)	3	Uniquely identifies Reference Image to which planned verification image is related, specified by Reference Image Number (300A,00C8) within Referenced Reference Image Sequence (300A,0042).	*** not supported ***

Attribute Name	Tag	T	Attribute Description	TXA Model Support
> Treatment Delivery Type	(300A,00CE)	3	Delivery Type of treatment. Defined Terms: TREATMENT = normal patient treatment SETUP = setup verification OPEN_PORTFILM = portal image acquisition with open field TRMT_PORTFILM = portal image acquisition with treatment port CONTINUATION = continuation of interrupted treatment	Roundtrip supported
> Referenced Dose Sequence	(300C,0080)	3	Introduces sequence of related SOP Class/Instance pairs describing related instances of RT Dose (for grids, isodose curves, and named/unnamed point doses). One or more items may be included in this sequence.	Roundtrip supported
>> Referenced SOP Class UID	(0008,1150)	1C	Uniquely identifies the referenced SOP Class. Required if Referenced Dose Sequence (300C,0080) is sent.	Roundtrip supported
>> Referenced SOP Instance UID	(0008,1155)	1C	Uniquely identifies the referenced SOP Instance. Required if Referenced Dose Sequence (300C,0080) is sent.	Roundtrip supported
> Number of Wedges	(300A,00D0)	1	Number of wedges associated with current Beam.	Roundtrip supported
> Wedge Sequence	(300A,00D1)	1C	Introduces sequence of treatment wedges. Required if Number of Wedges (300A,00D0) is non-zero. One or more items may be included in this sequence.	Roundtrip supported
>> Wedge Number	(300A,00D2)	1C	Identification number of the Wedge. The value of Wedge Number (300A,00D2) shall be unique within the Beam in which it is created. Required if Wedge Sequence (300A,00D1) is sent.	Roundtrip supported

Attribute Name	Tag	T	Attribute Description	TXA Model Support
>> Wedge Type	(300A,00D3)	2C	Type of wedge (if any) defined for Beam. Required if Wedge Sequence (300A,00D1) is sent. Defined Terms: STANDARD = standard (static) wedge DYNAMIC = moving beam limiting device (collimator) jaw simulating wedge MOTORIZED = single wedge which can be removed from beam remotely	Roundtrip supported
>> Wedge ID	(300A,00D4)	3	User-supplied identifier for Wedge.	Roundtrip supported
>> Accessory Code	(300A,00F9)	3	An identifier for the accessory intended to be read by a device such as a bar-code reader.	Roundtrip supported
>> Wedge Angle	(300A,00D5)	2C	Nominal wedge angle (degrees). Required if Wedge Sequence (300A,00D1) is sent.	Roundtrip supported
>> Wedge Factor	(300A,00D6)	2C	Nominal wedge factor under machine calibration conditions at the beam energy specified by the Nominal Beam Energy (300A,0114) of the first Control Point of the Control Point Sequence (300A,0111). Required if Wedge Sequence (300A,00D1) is sent.	Roundtrip supported
>> Wedge Orientation	(300A,00D8)	2C	Orientation of wedge, i.e. orientation of IEC WEDGE FILTER coordinate system with respect to IEC BEAM LIMITING DEVICE coordinate system (degrees). Required if Wedge Sequence (300A,00D1) is sent.	Roundtrip supported
>> Source to Wedge Tray Distance	(300A,00DA)	3	Radiation source to wedge tray attachment edge distance (in mm) for current wedge.	Roundtrip supported
> Number of Compensators	(300A,00E0)	1	Number of compensators associated with current Beam.	Roundtrip supported

Attribute Name	Tag	T	Attribute Description	TXA Model Support
> Total Compensator Tray Factor	(300A,00E2)	3	Compensator Tray transmission factor (between 0 and 1), at the beam energy specified by the Nominal Beam Energy (300A,0114) of the first Control Point of the Control Point Sequence (300A,0111).	*** not supported ***
> Compensator Sequence	(300A,00E3)	1C	Introduces sequence of treatment compensators. Required if Number of Compensators (300A,00E0) is non-zero. One or more items may be included in this sequence.	Roundtrip supported
>> Compensator Description	(300A,02EB)	3	User defined description for the compensator	*** not supported ***
>> Compensator Number	(300A,00E4)	1C	Identification number of the Compensator. The value of Compensator Number (300A,00E4) shall be unique within the Beam in which it is created. Required if Number of Compensators (300A,00E0) is non-zero.	Roundtrip supported
>> Compensator Type	(300A,00EE)	3	Type of compensator (if any). Defined Terms: STANDARD = physical (static) compensator DYNAMIC = moving Beam Limiting Device (collimator) simulating physical compensator	Roundtrip supported
>> Material ID	(300A,00E1)	2C	User-supplied identifier for material used to manufacture Compensator. Required if Number of Compensators (300A,00E0) is non-zero.	Roundtrip supported
>> Compensator ID	(300A,00E5)	3	User-supplied identifier for compensator.	Roundtrip supported
>> Accessory Code	(300A,00F9)	3	An identifier for the accessory intended to be read by a device such as a bar-code reader.	Roundtrip supported
>> Source to Compensator Tray Distance	(300A,00E6)	2C	Radiation source to compensator tray attachment edge distance (in mm) for current compensator. Required if Compensator Sequence (300A,00E3) is sent.	Roundtrip supported

Attribute Name	Tag	T	Attribute Description	TXA Model Support
>> Compensator Divergence	(300A,02E0)	3	Indicates presence or absence of geometrical divergence of the compensator. Enumerated Values: PRESENT = the compensator is shaped according to the beam geometrical divergence. ABSENT = the compensator is not shaped according to the beam geometrical divergence.	*** not supported ***
>> Compensator Mounting Position	(300A,02E1)	3	Indicates on which side of the Compensator Tray the compensator is mounted. Enumerated Values: PATIENT_SIDE = the compensator is mounted on the side of the Compensator Tray which is towards the patient. SOURCE_SIDE = the compensator is mounted on the side of the Compensator Tray which is towards the radiation source. DOUBLE_SIDED = the compensator has a shaped (i.e. non-flat) surface on both sides of the Compensator Tray.	*** not supported ***
>> Compensator Rows	(300A,00E7)	1C	Number of rows in the compensator. Required if Compensator Sequence (300A,00E3) is sent.	Roundtrip supported
>> Compensator Columns	(300A,00E8)	1C	Number of columns in the compensator. Required if Compensator Sequence (300A,00E3) is sent.	Roundtrip supported
>> Compensator Pixel Spacing	(300A,00E9)	1C	Physical distance (in mm) between the center of each pixel projected onto machine isocentric plane. Specified by a numeric pair - adjacent row spacing (delimiter) adjacent column spacing. Required if Compensator Sequence (300A,00E3) is sent.	Roundtrip supported

Attribute Name	Tag	T	Attribute Description	TXA Model Support
>> Compensator Position	(300A,00EA)	1C	The x and y coordinates of the upper left hand corner (first pixel transmitted) of the compensator, projected onto the machine isocentric plane in the IEC BEAM LIMITING DEVICE coordinate system (mm). Required if Compensator Sequence (300A,00E3) is sent.	Roundtrip supported
>> Compensator Transmission Data	(300A,00EB)	1C	<p>A data stream of the pixel samples which comprise the compensator, expressed as broad-beam transmission values (between 0 and 1) along a ray line passing through the pixel, at the beam energy specified by the Nominal Beam Energy (300A,0114) of the first Control Point of the Control Point Sequence (300A,0111). The order of pixels sent is left to right, top to bottom, i.e., the upper left pixel is sent first followed by the remainder of the first row , followed by the first pixel of the 2nd row, then the remainder of the 2nd row and so on) when viewed from the radiation source. Required if Compensator Sequence (300A,00E3) is sent and Material ID (300A,00E1) is zero- length. See C.8.8.14.10.</p> <p>Note: Compensator Transmission Data may not be properly encoded if Explicit-VR transfer syntax is used and the VL of this attribute exceeds 65534 bytes.</p>	Roundtrip supported

Attribute Name	Tag	T	Attribute Description	TXA Model Support
>> Compensator Thickness Data	(300A,00EC)	1C	<p>A data stream of the pixel samples which comprise the compensator, expressed as thicknesses (in mm). The order of pixels sent is left to right, top to bottom, i.e., the upper left pixel is sent first followed by the remainder of the first row , followed by the first pixel of the 2nd row, then the remainder of the 2nd row and so on) when viewed from the radiation source. Required if Compensator Sequence (300A,00E3) is sent and Material ID (300A,00E1) is nonzero length. See C.8.8.14.9 and C.8.8.14.10.</p> <p>Note: Compensator Thickness Data may not be properly encoded if Explicit- VR transfer syntax is used and the VL of this attribute exceeds 65534 bytes.</p>	Roundtrip supported
>> Source to Compensator Distance	(300A,02E2)	1C	<p>A data stream of the pixel samples which comprise the distance from the radiation source to the compensator surface closest to the radiation source (in mm). The order of pixels sent is left to right, top to bottom (upper left pixel, followed by the remainder of row 1, followed by the remainder of the columns). Required if Compensator Sequence (300A,00E3) is sent, Material ID (300A,00E1) is non-zero length, and Compensator Mounting Position (300A,02E1) is DOUBLE_SIDED. See C.8.8.14.9.</p>	Roundtrip supported
> Number of Boli	(300A,00ED)	1	Number of boli associated with current Beam.	Roundtrip supported
> Referenced Bolus Sequence	(300C,00B0)	1C	<p>Introduces sequence of boli associated with Beam. Required if Number of Boli (300A,00ED) is non-zero. One or more items may be included in this sequence.</p>	Roundtrip supported
>> Referenced ROI Number	(3006,0084)	1C	<p>Uniquely identifies ROI representing the Bolus specified by ROI Number (3006,0022) in Structure Set ROI Sequence (3006,0020) in Structure Set Module within RT Structure Set in Referenced Structure Set Sequence (300C,0060) in RT General Plan Module.</p> <p>Required if Referenced Bolus Sequence (300C,00B0) is sent.</p>	Roundtrip supported

Attribute Name	Tag	T	Attribute Description	TXA Model Support
>> Bolus ID	(300A,00DC)	3	User-supplied identifier for the Bolus.	*** not supported ***
>> Bolus Description	(300A,00DD)	3	User-defined description for the Bolus.	*** not supported ***
>> Accessory Code	(300A,00F9)	3	An identifier for the accessory intended to be read by a device such as a bar-code reader.	Roundtrip supported
> Number of Blocks	(300A,00F0)	1	Number of shielding blocks associated with Beam.	Roundtrip supported
> Total Block Tray Factor	(300A,00F2)	3	Total block tray transmission for all block trays (between 0 and 1) at the beam energy specified by the Nominal Beam Energy (300A,0114) of the first Control Point of the Control Point Sequence (300A,0111).	Roundtrip supported
> Block Sequence	(300A,00F4)	1C	Introduces sequence of blocks associated with Beam. Required if Number of Blocks (300A,00F0) is non-zero. One or more items may be included in this sequence.	Roundtrip supported
>> Block Tray ID	(300A,00F5)	3	User-supplied identifier for block tray.	Roundtrip supported
>> Accessory Code	(300A,00F9)	3	An identifier for the accessory intended to be read by a device such as a bar-code reader.	Roundtrip supported
>> Source to Block Tray Distance	(300A,00F6)	2C	Radiation Source to attachment edge of block tray assembly (mm). Required if Block Sequence (300A,00F4) is sent.	Roundtrip supported
>> Block Type	(300A,00F8)	1C	Type of block. Required if Block Sequence (300A,00F4) is sent. See C.8.8.14.4. Enumerated Values: SHIELDING = blocking material is inside contour APERTURE = blocking material is outside contour	Roundtrip supported

Attribute Name	Tag	T	Attribute Description	TXA Model Support
>> Block Divergence	(300A,00FA)	2C	Indicates presence or otherwise of geometrical divergence. Required if Block Sequence (300A,00F4) is sent. Enumerated Values: PRESENT = block edges are shaped for beam divergence ABSENT = block edges are not shaped for beam divergence	Roundtrip supported
>> Block Mounting Position	(300A,00FB)	3	Indicates on which side of the Block Tray the block is mounted. Enumerated Values: PATIENT_SIDE = the block is mounted on the side of the Block Tray which is towards the patient. SOURCE_SIDE = the block is mounted on the side of the Block Tray which is towards the radiation source.	*** not supported ***
>> Block Number	(300A,00FC)	1C	Identification number of the Block. The value of Block Number (300A,00FC) shall be unique within the Beam in which it is created. Required if Block Sequence (300A,00F4) is sent.	Roundtrip supported
>> Block Name	(300A,00FE)	3	User-defined name for block.	Roundtrip supported
>> Material ID	(300A,00E1)	2C	User-supplied identifier for material used to manufacture Block. Required if Block Sequence (300A,00F4) is sent.	Roundtrip supported
>> Block Thickness	(300A,0100)	2C	Physical thickness of block (in mm) parallel to radiation beam axis. Required if Block Sequence (300A,00F4) is sent and Material ID (300A,00E1) is non-zero length. See C.8.8.14.4.	Roundtrip supported

Attribute Name	Tag	T	Attribute Description	TXA Model Support
>> Block Transmission	(300A,0102)	2C	Transmission through the block (between 0 and 1) at the beam energy specified by the Nominal Beam Energy (300A,0114) of the first Control Point of the Control Point Sequence (300A,0111). Required if Block Sequence (300A,00F4) is sent and Material ID (300A,00E1) is zero length. See C.8.8.14.4.	Roundtrip supported
>> Block Number of Points	(300A,0104)	2C	Number of (x,y) pairs defining the block edge. Required if Block Sequence (300A,00F4) is sent.	Roundtrip supported
>> Block Data	(300A,0106)	2C	A data stream of (x,y) pairs which comprise the block edge. The number of pairs shall be equal to Block Number of Points (300A,0104), and the vertices shall be interpreted as a closed polygon. Coordinates are projected onto the machine isocentric plane in the IEC BEAM LIMITING DEVICE coordinate system (mm). Required if Block Sequence (300A,00F4) is sent. See Note 4.	Roundtrip supported
> Applicator Sequence	(300A,0107)	3	Introduces sequence of Applicators associated with Beam. Only a single item shall be permitted in this sequence.	Roundtrip supported
>> Applicator ID	(300A,0108)	1C	User or machine supplied identifier for Applicator. Required if Applicator Sequence (300A,0107) is sent.	Roundtrip supported
>> Accessory Code	(300A,00F9)	3	An identifier for the accessory intended to be read by a device such as a bar-code reader.	Roundtrip supported

Attribute Name	Tag	T	Attribute Description	TXA Model Support
>> Applicator Type	(300A,0109)	1C	Type of Applicator. Required if Applicator Sequence (300A,0107) is sent. Defined Terms: ELECTRON_SQUARE = square electron applicator ELECTRON_RECT = rectangular electron applicator ELECTRON_CIRC = circular electron applicator ELECTRON_SHORT = short electron applicator ELECTRON_OPEN = open (dummy) electron applicator INTRAOPERATIVE = intraoperative (custom) applicator STEREOTACTIC = stereotactic applicator	Roundtrip supported
>> Applicator Description	(300A,010A)	3	User-defined description for Applicator.	Roundtrip supported
> General Accessory Sequence	(300A,0420)	3	Introduces a Sequence of General Accessories associated with this Beam. One or more items may be included in this sequence.	Roundtrip supported
>> General Accessory Number	(300A,0424)	1	Identification Number of the General Accessory. The value shall be unique within the sequence.	Roundtrip supported
>> General Accessory ID	(300A,0421)	1	User or machine supplied identifier for General Accessory.	Roundtrip supported
>> General Accessory Description	(300A,0422)	3	User supplied description of General Accessory.	Roundtrip supported

Attribute Name	Tag	T	Attribute Description	TXA Model Support
>> General Accessory Type	(300A,0423)	3	Specifies the type of accessory. Defined Terms: GRATICULE = Accessory tray with a radio-opaque grid IMAGE_DETECTOR = Image acquisition device positioned in the beam line RETICLE = Accessory tray with radio-transparent markers or grid	Roundtrip supported
>> Accessory Code	(300A,00F9)	3	Machine-readable identifier for this accessory	Roundtrip supported
>> Source to General Accessory Distance	(3291,XX00)	3	Radiation source to accessory distance of the equipment that is to be used for beam delivery (mm).	Roundtrip supported
> Final Cumulative Meterset Weight	(300A,010E)	1C	Value of Cumulative Meterset Weight (300A,0134) for final Control Point in Control Point Sequence (300A,0111). Required if Cumulative Meterset Weight is non-null in Control Points specified within Control Point Sequence (300A,0111). See C.8.8.14.1.	Roundtrip supported
> Number of Control Points	(300A,0110)	1	Number of control points in Beam.	Roundtrip supported
> Control Point Sequence	(300A,0111)	1	Introduces sequence of machine configurations describing treatment beam. Two or more items may be included in this sequence. See C.8.8.14.5 and C.8.8.14.6.	Roundtrip supported
>> Control Point Index	(300A,0112)	1C	Index of current Control Point, starting at 0 for first Control Point. Required if Control Point Sequence (300A,0111) is sent.	Roundtrip supported

Attribute Name	Tag	T	Attribute Description	TXA Model Support
>> Cumulative Meterset Weight	(300A,0134)	2C	Cumulative weight to current control point. Cumulative Meterset Weight for the first item in Control Point Sequence shall always be zero. Cumulative Meterset Weight for the final item in Control Point Sequence shall always be equal to Final Cumulative Meterset Weight. Required if Control Point Sequence (300A,0111) is sent. See C.8.8.14.1.	Roundtrip supported
>> Referenced Dose Reference Sequence	(300C,0050)	3	Introduces a sequence of Dose References for current Beam. One or more items may be included in this sequence.	Roundtrip supported
>>> Referenced Dose Reference Number	(300C,0051)	1C	Uniquely identifies Dose Reference specified by Dose Reference Number (300A,0012) in Dose Reference Sequence (300A,0010) in RT Prescription Module. Required if Referenced Dose Reference Sequence (300C,0050) is sent.	Roundtrip supported
>>> Cumulative Dose Reference Coefficient	(300A,010C)	2C	Coefficient used to calculate cumulative dose contribution from this Beam to the referenced Dose Reference at the current Control Point. Required if Referenced Dose Reference Sequence (300C,0050) is sent. See C.8.8.14.7.	Roundtrip supported
>> Referenced Dose Sequence	(300C,0080)	1C	Sequence describing related instances of RT Dose (for grids, isodose curves, and named/unnamed point doses). One or more items may be included in this sequence. Required if RT Dose is being sent, and Dose Summation Type (3004,000A) equals CONTROL_POINT.	*** not supported ***
>>> Referenced SOP Class UID	(0008,1150)	1	Uniquely identifies the referenced SOP Class.	*** not supported ***
>>> Referenced SOP Instance UID	(0008,1155)	1	Uniquely identifies the referenced SOP Instance.	*** not supported ***
>> Nominal Beam Energy	(300A,0114)	3	Nominal Beam Energy at control point (MV/MeV).	Roundtrip supported

Attribute Name	Tag	T	Attribute Description	TXA Model Support
>> Dose Rate Set	(300A,0115)	3	Dose Rate to be set on treatment machine for segment beginning at current control point (e.g. MU/min).	Roundtrip supported
>> Wedge Position Sequence	(300A,0116)	3	A Sequence of Items describing Wedge Positions for the current control point. Required for first item of Control Point Sequence if Number of Wedges (300A,00D0) is non-zero, and in subsequent control points if Wedge Position (300A,0118) changes during Beam. See C.8.8.14.5. The number of items in this sequence shall equal the value of Number of Wedges (300A,00D0).	Roundtrip supported
>>> Referenced Wedge Number	(300C,00C0)	1C	Uniquely references Wedge described by Wedge Number (300A,00D2) in Wedge Sequence (300A,00D1). Required if Wedge Position Sequence (300A,0116) is sent.	Roundtrip supported
>>> Wedge Position	(300A,0118)	1C	Position of Wedge at current Control Point. Required if Wedge Position Sequence (300A,0116) is sent. Enumerated Values: IN OUT	Roundtrip supported
>> Beam Limiting Device Position Sequence	(300A,011A)	1C	Introduces sequence of beam limiting device (collimator) jaw or leaf (element) positions. Required for first item of Control Point Sequence, or if Beam Limiting Device changes during Beam. One or more items may be included in this sequence.	Roundtrip supported

Attribute Name	Tag	T	Attribute Description	TXA Model Support
>>> RT Beam Limiting Device Type	(300A,00B8)	1C	Type of beam limiting device (collimator). The value of this attribute shall correspond to RT Beam Limiting Device Type (300A,00B8) defined in an item of Beam Limiting Device Sequence (300A,00B6). Required if Beam Limiting Device Position Sequence (300A,011A) is sent. Enumerated Values: X = symmetric jaw pair in IEC X direction Y = symmetric jaw pair in IEC Y direction ASYMX = asymmetric jaw pair in IEC X direction ASYMY = asymmetric pair in IEC Y direction MLCX = multileaf (multi-element) jaw pair in IEC X direction MLCY = multileaf (multi-element) jaw pair in IEC Y direction	Roundtrip supported
>>> Leaf/Jaw Positions	(300A,011C)	1C	Positions of beam limiting device (collimator) leaf (element) or jaw pairs (in mm) in IEC BEAM LIMITING DEVICE coordinate axis appropriate to RT Beam Limiting Device Type (300A,00B8), e.g. X- axis for MLCX, Y-axis for MLCY. Contains 2N values, where N is the Number of Leaf/Jaw Pairs (300A,00BC) in Beam Limiting Device Sequence (300A,00B6). Values shall be listed in IEC leaf (element) subscript order 101, 102, ... 1N, 201, 202, ... 2N. Required if Beam Limiting Device Position Sequence (300A,011A) is sent. See Note 2.	Roundtrip supported If values are not defined then 88888888 will be sent.
>> Gantry Angle	(300A,011E)	1C	Gantry angle of radiation source, i.e. orientation of IEC GANTRY coordinate system with respect to IEC FIXED REFERENCE coordinate system (degrees). Required for first item of Control Point Sequence, or if Gantry Angle changes during Beam.	Roundtrip supported If values are not defined then 88888888 will be sent.

Attribute Name	Tag	T	Attribute Description	TXA Model Support
>> Gantry Rotation Direction	(300A,011F)	1C	<p>Direction of Gantry Rotation when viewing gantry from isocenter, for segment following Control Point. Required for first item of Control Point Sequence, or if Gantry Rotation Direction changes during Beam. See C.8.8.14.8.</p> <p>Enumerated Values: CW = clockwise CC = counter-clockwise NONE = no rotation</p>	Roundtrip supported
>> Gantry Pitch Angle	(300A,014A)	3	<p>Gantry Pitch Angle. i.e. the rotation of the IEC GANTRY coordinate system about the X-axis of the IEC GANTRY coordinate system (degrees). If used, must be present for first item of Control Point Sequence, or if used and Gantry Pitch Rotation Angle changes during Beam, must be present.</p>	*** not supported ***
>> Gantry Pitch Rotation Direction	(300A,014C)	3	<p>Direction of Gantry Pitch Angle when viewing along the positive X-axis of the IEC GANTRY coordinate system, for segment following Control Point. If used, must be present for first item of Control Point Sequence, or if used and Gantry Pitch Rotation Direction changes during Beam, must be present. See C.8.8.14.8 and C.8.8.25.6.5. Enumerated Values: CW = clockwise CC = counter-clockwise NONE = no rotation</p>	*** not supported ***
>> Beam Limiting Device Angle	(300A,0120)	1C	<p>Beam Limiting Device angle, i.e. orientation of IEC BEAM LIMITING DEVICE coordinate system with respect to IEC GANTRY coordinate system (degrees). Required for first item of Control Point Sequence, or if Beam Limiting Device Angle changes during Beam.</p>	Roundtrip supported

Attribute Name	Tag	T	Attribute Description	TXA Model Support
>> Beam Limiting Device Rotation Direction	(300A,0121)	1C	<p>Direction of Beam Limiting Device Rotation when viewing beam limiting device (collimator) from radiation source, for segment following Control Point. Required for first item of Control Point Sequence, or if Beam Limiting Device Rotation Direction changes during Beam. See C.8.8.14.8.</p> <p>Enumerated Values: CW = clockwise CC = counter-clockwise NONE = no rotation</p>	Roundtrip supported
>> Patient Support Angle	(300A,0122)	1C	<p>Patient Support angle, i.e. orientation of IEC PATIENT SUPPORT (turntable) coordinate system with respect to IEC FIXED REFERENCE coordinate system (degrees). Required for first item of Control Point Sequence, or if Patient Support Angle changes during Beam.</p>	Roundtrip supported
>> Patient Support Rotation Direction	(300A,0123)	1C	<p>Direction of Patient Support Rotation when viewing table from above, for segment following Control Point. Required for first item of Control Point Sequence, or if Patient Support Rotation Direction changes during Beam. See C.8.8.14.8.</p> <p>Enumerated Values: CW = clockwise CC = counter-clockwise NONE = no rotation</p>	Roundtrip supported
>> Table Top Eccentric Axis Distance	(300A,0124)	3	<p>Distance (positive) from the IEC PATIENT SUPPORT vertical axis to the IEC TABLE TOP ECCENTRIC vertical axis (mm).</p>	Roundtrip supported

Attribute Name	Tag	T	Attribute Description	TXA Model Support
>> Table Top Eccentric Angle	(300A,0125)	1C	Table Top (non-isocentric) angle, i.e. orientation of IEC TABLE TOP ECCENTRIC coordinate system with respect to IEC PATIENT SUPPORT coordinate system (degrees). Required for first item of Control Point Sequence, or if Table Top Eccentric Angle changes during Beam.	Roundtrip supported
>> Table Top Eccentric Rotation Direction	(300A,0126)	1C	Direction of Table Top Eccentric Rotation when viewing table from above, for segment following Control Point. Required for first item of Control Point Sequence, or if Table Top Eccentric Rotation Direction changes during Beam. See C.8.8.14.8. Enumerated Values: CW = clockwise CC = counter-clockwise NONE = no rotation	Roundtrip supported
>> Patient Support Pitch Angle	(300A,0140)	1C	Table Top Pitch Angle, i.e. the rotation of the IEC TABLE TOP coordinate system about the X-axis of the IEC TABLE TOP coordinate system (degrees). If required by treatment delivery device, shall be present for first item of Control Point Sequence. If required by treatment delivery device and if Table Top Pitch Angle changes during Beam, shall be present in all subsequent items of Control Point Sequence. See C.8.8.25.6.2.	*** not supported ***
>> Patient Support Pitching Direction	(300A,0142)	1C	Direction of Table Top Pitch Rotation when viewing the table along the positive X-axis of the IEC TABLE TOP coordinate system, for segment following Control Point. If required by treatment delivery device, shall be present for first item of Control Point Sequence. If required by treatment delivery device and if Table Top Pitch Rotation Direction changes during Beam, shall be present in all subsequent items of Control Point Sequence. See C.8.8.14.8 and C.8.8.25.6.2. Enumerated Values: CW = clockwise CC = counter-clockwise NONE = no rotation	*** not supported ***

Attribute Name	Tag	T	Attribute Description	TXA Model Support
>> Patient Support Roll Angle	(300A,0144)	1C	Table Top Roll Angle, i.e. the rotation of the IEC TABLE TOP coordinate system about the IEC Y-axis of the IEC TABLE TOP coordinate system (degrees). If required by treatment delivery device, shall be present for first item of Control Point Sequence. If required by treatment delivery device and if Table Top Roll Angle changes during Beam, shall be present in all subsequent items of Control Point Sequence. See C.8.8.25.6.2.	*** not supported ***
>> Patient Support Rolling Direction	(300A,0146)	1C	Direction of Table Top Roll Rotation when viewing the table along the positive Y-axis of the IEC TABLE TOP coordinate system, for segment following Control Point. If required by treatment delivery device, shall be present for first item of Control Point Sequence. If required by treatment delivery device and if Table Top Roll Rotation Direction changes during Beam, shall be present in all subsequent items of Control Point Sequence. See C.8.8.14.8 and C.8.8.25.6.2. Enumerated Values: CW = clockwise CC = counter-clockwise NONE = no rotation	*** not supported ***
>> Table Top Vertical Position	(300A,0128)	2C	Table Top Vertical position in IEC TABLE TOP coordinate system (mm). Required for first item of Control Point Sequence, or if Table Top Vertical Position changes during Beam. See C.8.8.14.6.	Roundtrip supported
>> Table Top Longitudinal Position	(300A,0129)	2C	Table Top Longitudinal position in IEC TABLE TOP coordinate system (mm). Required for first item of Control Point Sequence, or if Table Top Longitudinal Position changes during Beam. See C.8.8.14.6.	Roundtrip supported
>> Table Top Lateral Position	(300A,012A)	2C	Table Top Lateral position in IEC TABLE TOP coordinate system (mm). Required for first item of Control Point Sequence, or if Table Top Lateral Position changes during Beam. See C.8.8.14.6.	Roundtrip supported
>> Virtual SAD	(3243,XX1A)	3	The virtual SAD for this control point. This SAD denotes the physical focus of the beam if it is different than the nominal Source Axis Distance (300A,00B4).	*** not supported ***

Attribute Name	Tag	T	Attribute Description	TXA Model Support
>> Table Top Roll Angle	(3243,XX16)	3	Table Top Roll Angle (not yet part of the IEC system).	*** not supported ***
>> Table Top Pitch Angle	(3243,XX17)	3	Table Top Pitch Angle (not yet part of the IEC system).	*** not supported ***
>> Isocenter Position	(300A,012C)	2C	Isocenter coordinates (x,y,z) in the patient based coordinate system described in C.7.6.2.1.1 (mm). Required for first item of Segment Control Point Sequence, or if Segment Isocenter Position changes during Beam.	Roundtrip supported
>> Surface Entry Point	(300A,012E)	3	Patient surface entry point coordinates (x,y,z) in the patient based coordinate system described in C.7.6.2.1.1 (mm).	*** not supported ***
>> Source to Surface Distance	(300A,0130)	3	Source to Patient Surface distance (mm).	Roundtrip supported
>> Referenced SOP Class UID	(0008,1150)	1	Uniquely identifies the referenced SOP Class.	*** not supported ***
>> Referenced SOP Instance UID	(0008,1155)	1	Uniquely identifies the referenced SOP Instance.	*** not supported ***

C.2.11 Approval – C.8.8.16

Attribute Name	Tag	T	Attribute Description	TXA Model Support
Approval Status	(300E,0002)	1	Approval status at the time the SOP Instance was created. Enumerated Values: APPROVED = Reviewer recorded that object met an implied criterion UNAPPROVED = No review of object has been recorded REJECTED = Reviewer recorded that object failed to meet an implied criterion	Roundtrip supported
Review Date	(300E,0004)	2C	Date on which object was reviewed. Required if Approval Status (300E,0002) is APPROVED or REJECTED.	Roundtrip supported
Review Time	(300E,0005)	2C	Time at which object was reviewed. Required if Approval Status (300E,0002) is APPROVED or REJECTED.	Roundtrip supported
Reviewer Name	(300E,0008)	2C	Name of person who reviewed object. Required if Approval Status (300E,0002) is APPROVED or REJECTED.	Roundtrip supported

C.2.12 SOP Common – C.12.1

Attribute Name	Tag	T	Attribute Description	TXA Model Support
SOP Class UID	(0008,0016)	1	Uniquely identifies the SOP Class. See C.12.1.1.1 for further explanation. See also PS 3.4.	Roundtrip supported
SOP Instance UID	(0008,0018)	1	Uniquely identifies the SOP Instance. See C.12.1.1.1 for further explanation. See also PS 3.4.	Roundtrip supported

Attribute Name	Tag	T	Attribute Description	TXA Model Support
Specific Character Set	(0008,0005)	1C	Character Set that expands or replaces the Basic Graphic Set. Required if an expanded or replacement character set is used. See C.12.1.1.2 for Defined Terms.	Roundtrip supported
Instance Creation Date	(0008,0012)	3	Date the SOP Instance was created.	Roundtrip supported
Instance Creation Time	(0008,0013)	3	Time the SOP Instance was created.	Roundtrip supported
Instance Creator UID	(0008,0014)	3	Uniquely identifies device which created the SOP Instance.	Roundtrip supported
Related General SOP Class UID	(0008,001A)	3	Uniquely identifies a Related General SOP Class for the SOP Class of this Instance. See PS 3.4.	*** not supported ***
Original Specialized SOP Class UID	(0008,001B)	3	The SOP Class in which the Instance was originally encoded, but which has been replaced during a fall-back conversion to the current Related General SOP Class. See PS 3.4.	*** not supported ***
Coding Scheme Identification Sequence	(0008,0110)	3	Sequence of items that map values of Coding Scheme Designator (0008,0102) to an external coding system registration, or to a private or local coding scheme. One or more items may be present in the sequence.	*** not supported ***
> Coding Scheme Designator	(0008,0102)	1	The value of a Coding Scheme Designator, used in this SOP Instance, which is being mapped.	*** not supported ***
> Coding Scheme Registry	(0008,0112)	1C	The name of the external registry where further definition of the identified coding scheme may be obtained. Required if coding scheme is registered. Defined term: HL7	*** not supported ***
> Coding Scheme UID	(0008,010C)	1C	The coding scheme UID identifier. Required if coding scheme is identified by an ISO 8824 object identifier compatible with the UI VR.	*** not supported ***

Attribute Name	Tag	T	Attribute Description	TXA Model Support
> Coding Scheme External ID	(0008,0114)	2C	The coding scheme identifier as defined in an external registry. Required if coding scheme is registered and Coding Scheme UID (0008,010C) is not present.	*** not supported ***
> Coding Scheme Name	(0008,0115)	3	The coding scheme full common name	*** not supported ***
> Coding Scheme Version	(0008,0103)	3	The coding scheme version associated with the Coding Scheme Designator (0008,0102).	*** not supported ***
> Responsible Organization	(0008,0116)	3	Name of the organization responsible for the Coding Scheme. May include organizational contact information.	*** not supported ***
Timezone Offset From UTC	(0008,0201)	3	<p>Contains the offset from UTC to the timezone for all DA and TM Attributes present in this SOP Instance. Encoded as an ASCII string in the format "&ZZZZ". The components of this string, from left to right, are & = "+" or "-", and ZZZZ = Hours and Minutes of offset.</p> <p>Notes:</p> <ol style="list-style-type: none"> 1. This encoding is the same as described in PS 3.5 for the DT Value Representation. 2. This Attribute does not apply to values with a DT Value Representation, which may contain an explicitly encoded timezone. 3. The corrected time may cross a 24 hour boundary. For example, if Local Time = 1.00 a.m. and Offset = +0200, then UTC = 11.00 p.m. (23.00) the day before. 4. The "+" sign may not be omitted. Time earlier than UTC is expressed as a negative offset. <p>Note:</p> <p>For example: UTC = 5.00 a.m. Local Time = 3.00 a.m. Offset = -0200 The local timezone offset is undefined if this Attribute is absent.</p>	*** not supported ***

Attribute Name	Tag	T	Attribute Description	TXA Model Support
Contributing Equipment Sequence	(0018,A001)	3	Sequence of Items containing descriptive attributes of related equipment which has contributed to the acquisition, creation or modification of the composite instance. One or more Items may be included in this Sequence. See C.12.1.1.5 for further explanation.	*** not supported ***
> Purpose of Reference Code Sequence	(0040,A170)	1	Describes the purpose for which the related equipment is being reference. Only a single Item shall be permitted in this sequence. See C.12.1.1.5 for further explanation.	*** not supported ***
>> Code Value	(0008,0100)	1C	See Section 8.1. Required if a sequence item is present.	*** not supported ***
>> Coding Scheme Designator	(0008,0102)	1C	See Section 8.2. Required if a sequence item is present.	*** not supported ***
>> Coding Scheme Version	(0008,0103)	1C	See Section 8.2. Required if a sequence item is present and the value of Coding Scheme Designator (0008,0102) is not sufficient to identify the Code Value (0008,0100) unambiguously.	*** not supported ***
>> Code Meaning	(0008,0104)	1C	See Section 8.3. Required if a sequence item is present.	*** not supported ***
> Manufacturer	(0008,0070)	1	Manufacturer of the equipment that contributed to the composite instance.	*** not supported ***
> Institution Name	(0008,0080)	3	Institution where the equipment that contributed to the composite instance is located.	*** not supported ***
> Institution Address	(0008,0081)	3	Address of the institution where the equipment that contributed to the composite instance is located.	*** not supported ***
> Station Name	(0008,1010)	3	User defined name identifying the machine that contributed to the composite instance.	*** not supported ***
> Institutional Department Name	(0008,1040)	3	Department in the institution where the equipment that contributed to the composite instance is located.	*** not supported ***
> Manufacturer's Model Name	(0008,1090)	3	Manufacturer's model name of the equipment that contributed to the composite instance.	*** not supported ***
> Device Serial Number	(0018,1000)	3	Manufacturer's serial number of the equipment that contributed to the composite instance.	*** not supported ***

Attribute Name	Tag	T	Attribute Description	TXA Model Support
> Software Version(s)	(0018,1020)	3	Manufacturer's designation of the software version of the equipment that contributed to the composite instance.	*** not supported ***
> Spatial Resolution	(0018,1050)	3	The inherent limiting resolution in mm of the acquisition equipment for high contrast objects for the data gathering and reconstruction technique chosen. If variable across the images of the series, the value at the image center.	*** not supported ***
> Date of Last Calibration	(0018,1200)	3	Date when the image acquisition device calibration was last changed in any way. Multiple entries may be used for additional calibrations at other times. See C.7.5.1.1.1 for further explanation.	*** not supported ***
> Time of Last Calibration	(0018,1201)	3	Time when the image acquisition device calibration was last changed in any way. Multiple entries may be used. See C.7.5.1.1.1 for further explanation.	*** not supported ***
> Contribution Date Time	(0018,A002)	3	The Date & Time when the equipment contributed to the composite instance.	*** not supported ***
> Contribution Description	(0018,A003)	3	Description of the contribution the equipment made to the composite instance.	*** not supported ***
Instance Number	(0020,0013)	3	A number that identifies this Composite object instance.	*** not supported ***

Attribute Name	Tag	T	Attribute Description	TXA Model Support
SOP Instance Status	(0100,0410)	3	<p>A flag that indicates the storage status of the SOP Instance. Not Specified (NS) implies that this SOP Instance has no special storage status, and hence no special actions need be taken. Original (OR) implies that this is the primary SOP instance for the purpose of storage, but that it has not yet been authorized for diagnostic use. Authorized Original (AO) implies that this is the primary SOP instance for the purpose of storage, which has been authorized for diagnostic use. Any copies of an Authorized Original should be given the status of Authorized Copy. Authorized Copy (AC) implies that this is a copy of an Authorized Original SOP Instance.</p> <p>Enumerated Values: NS, OR, AO, AC</p> <p>Note: Proper use of these flags is specified in Security Profiles. Implementations that do not conform to such Security Profiles may not necessarily handle these flags properly.</p>	*** not supported ***
SOP Authorization Date and Time	(0100,0420)	3	The date and time when the SOP Instance Status (0100,0410) was set to AO.	*** not supported ***
SOP Authorization Comment	(0100,0424)	3	Any comments associated with the setting of the SOP Instance Status (0100,0410) to AO.	*** not supported ***
Authorization Equipment Certification Number	(0100,0426)	3	The certification number issued to the Application Entity that set the SOP Instance Status (0100,0410) to AO.	*** not supported ***
MAC Parameters Sequence	(4FFE,0001)	3	A sequence of one or more items that describe the parameters used to calculate a MAC for use in Digital Signatures.	*** not supported ***
> MAC ID Number	(0400,0005)	1	A number used to identify this MAC Parameters Sequence item.	*** not supported ***

Attribute Name	Tag	T	Attribute Description	TXA Model Support
> MAC Calculation Transfer Syntax UID	(0400,0010)	1	The Transfer Syntax UID used to encode the values of the Data Elements included in the MAC calculation. Only Transfer Syntaxes that explicitly include the VR and use Little Endian encoding shall be used. Notes: Certain Transfer Syntaxes, particularly those that are used with compressed data, allow the fragmentation of the pixel data to change. If such fragmentation changes, Digital Signatures generated with such Transfer Syntaxes could become invalid.	*** not supported ***
> MAC Algorithm	(0400,0015)	1	The algorithm used in generating the MAC to be encrypted to form the Digital Signature. Defined Terms: RIPMD160 MD5 SHA1. Note: Digital Signature Security Profiles (see PS 3.15) may require the use of a restricted subset of these terms.	*** not supported ***
> Data Elements Signed	(0400,0020)	1	A list of Data Element Tags in the order they appear in the Data Set which identify the Data Elements used in creating the MAC for the Digital Signature. See Section C.12.1.1.3.1.1.	*** not supported ***
Digital Signatures Sequence	(FFFA,FFFA)	3	Sequence holding one or more Digital Signatures.	*** not supported ***
> MAC ID Number	(0400,0005)	1	A number used to identify which MAC Parameters Sequence item was used in the calculation of this Digital Signature.	*** not supported ***
> Digital Signature UID	(0400,0100)	1	A UID that can be used to uniquely reference this signature.	*** not supported ***

Attribute Name	Tag	T	Attribute Description	TXA Model Support
> Digital Signature DateTime	(0400,0105)	1	The date and time the Digital Signature was created. The time shall include an offset (i.e., time zone indication) from Coordinated Universal Time. Note: This is not a certified timestamp, and hence is not completely verifiable. An application can compare this date and time with those of other signatures and the validity date of the certificate to gain confidence in the veracity of this date and time.	*** not supported ***
> Certificate Type	(0400,0110)	1	The type of certificate used in (0400,0115). Defined Term: X509_1993_SIG Note: Digital Signature Security Profiles (see PS 3.15) may require the use of a restricted subset of these terms.	*** not supported ***
> Certificate of Signer	(0400,0115)	1	A certificate that holds the identity of the entity producing this Digital Signature, that entity's public key or key identifier, and the algorithm and associated parameters with which that public key is to be used. Algorithms allowed are specified in Digital Signature Security Profiles (see PS 3.15). Notes: 1. As technology advances, additional encryption algorithms may be allowed in future versions. Implementations should take this possibility into account. 2. When symmetric encryption is used, the certificate merely identifies which key was used by which entity, but not the actual key itself. Some other means (e.g., a trusted third party) must be used to obtain the key.	*** not supported ***
> Signature	(0400,0120)	1	The MAC generated as described in Section 12.2.1.1 and encrypted using the algorithm, parameters, and private key associated with the Certificate of the Signer (0400,0115). See Section C.12.1.1.3.1.2.	*** not supported ***

Attribute Name	Tag	T	Attribute Description	TXA Model Support
> Certified Timestamp Type	(0400,0305)	1C	The type of certified timestamp used in the Certified Timestamp (0400,0310) Attribute. Required if Certified Timestamp (0400,0310) is present. Defined Terms: CMS_TSP û Internet X.509 Public Key Infrastructure Time Stamp Protocol Note: Digital Signature Security Profiles (see PS 3.15) may require the use of a restricted subset of these terms.	*** not supported ***
> Certified Timestamp	(0400,0310)	3	A certified timestamp of the Digital Signature (0400,0120) Attribute Value, which shall be obtained when the Digital Signature is created. See Section C.12.1.1.3.1.3.	*** not supported ***
Encrypted Attributes Sequence	(0400,0500)	1C	Sequence of Items containing encrypted DICOM data. One or more Items shall be present. Required if application level confidentiality is needed and certain recipients are allowed to decrypt all or portions of the Encrypted Attributes Data Set. See C.12.1.1.4.1.	*** not supported ***
> Encrypted Content Transfer Syntax UID	(0400,0510)	1	Transfer Syntax used to encode the encrypted content. Only Transfer Syntaxes that explicitly include the VR and use Little Endian encoding shall be used.	*** not supported ***
> Encrypted Content	(0400,0520)	1	Encrypted data. See C.12.1.1.4.2.	*** not supported ***
HL7 Structured Document Reference Sequence	(0040,A390)	1C	Sequence of items defining mapping and/or access mechanism for HL7 Structured Documents referenced from the current SOP Instance. One or more Items may be included in this sequence. See C.12.1.1.6. Required if HL7 Structured Documents are referenced within the Instance.	*** not supported ***
> Referenced SOP Class UID	(0008,1150)	1	Unique identifier for the class of HL7 Structured Document.	*** not supported ***
> Referenced SOP Instance UID	(0008,1155)	1	Unique identifier for the HL7 Structured Document as used in DICOM instance references.	*** not supported ***

Attribute Name	Tag	T	Attribute Description	TXA Model Support
> HL7 Instance Identifier	(0040,E001)	1	Instance Identifier of the referenced HL7 Structured Document, encoded as a UID (OID or UUID), concatenated with a caret ("^") and Extension value (if Extension is present in Instance Identifier).	*** not supported ***
> Retrieve URI	(0040,E010)	3	Retrieval access path to HL7 Structured Document. Includes fully specified scheme, authority, path, and query in accordance with RFC 2396	*** not supported ***

C.2.13 Extended Interface – Private

Attribute Name	Tag	T	Attribute Description	Varian System Database
Extended Interface Format	(3253,XX02)	1	Identifier string defining format of Extended Interface Data (3253,xx00). Applications should be able to unambiguously map this string to an XML schema definition.	Roundtrip supported
Extended Interface Data	(3253,XX00)	1	Contains private extensions as an XML stream. Schema of XML is defined by Extended Interface Format (3253,xx02).	Roundtrip supported
Extended Interface Length	(3253,XX01)	1	Length of XML stream contained in Extended Interface Data (3253,xx00). Usually is equal to attribute length of Extended Interface Data (3253,xx00) if length is even and is one less than attribute length if length is odd.	Roundtrip supported

Appendix D Extended Interface

The following IODs have private Attributes containing an XML data structure for transporting structured non-DICOM data:

- RT Plan
- RT Beams Treatment Record

The following sections specify Attributes containing the XML data and describe the structure of the XML data.

D.1 RT Plan

The XML data structure for RT Plan IODs is contained in private Extended Interface Module which is optional within RT Plan IOD.

The structure of the XML data structure is described in the following table.

Column “Operational Mode” indicates the presence for certain XML nodes depending of the applications Operational Mode.

Legend for column “Operational Mode”:

- ✓ Attribute supported
- × Attribute not supported
- 1) Present for Block, Compensator and empty Trays
- 1)* Present for empty Trays

Attributes not supported anymore in the Extended Interface XML data are covered by standard DICOM attributes.

Node Name	Occurrence		Data Type	Node Description	Operational Mode	
	Min	Max			VMS Console System 6.5	VMS Console System 8.8 / QA
ExtendedVAPlanInterface	0	1			✓	✓
> Beams	0	1			✓	✓
>> Beam	0	∞			✓	✓
>>> ReferencedBeamNumber	1	1	int	Beam identifier	✓	✓
>>> BeamExtension	1	1		Additional items provided from Vision to expand the features of RT Beams.	✓	✓
>>>> FieldType	1	1	string	TREATMENT or SETUP	✓	*
>>>> RelatedTreatBeamNumber	0	1	int	Relation from the image beams to the treatment and/or setup beams.	✓	✓
>>>> FieldOrder	1	1	int	Order in which the fields are shown	✓	✓
>>>> GantryRtnExtendedStart	0	1	int	When true, gantry angle position is in the extended range, which means it has an over travel (a Gantry can move most typical 400' and not only 360').	✓	✓
>>>> GantryRtnExtendedStop	0	1	int	When true, gantry angle position is in the extended range, which means it has an over travel (a Gantry can move most typical 400' and not only 360').	✓	✓
>>>> MUSubtraction	0	1	int	Although the extended interface contains the MUSubtraction attribute, it is not used in TXA.	✓	✓
>>>> FieldSetupPhotos	0	1			✓	✓
>>>>> FieldSetupPhoto	0	2		Two setup photos max	✓	✓

Node Name	Occurrence		Data Type	Node Description	Operational Mode	
	Min	Max			VMS Console System 6.5	VMS Console System 8.8 / QA
>>>>> SetupPhotoNumber	1	1	int	Increasing number of setup photos. The value has to start from 1 and up.	✓	✓
>>>>> SetupPhotoFormat	1	1	string	The format of the pixel information. Supported values are 'JPG' and 'BMP'	✓	✓
>>>>> SetupPhotoPicture	1	1	hex binary	Pixel information of the photo in the corresponding format.	✓	✓
>>>>> PhotoModified	1	1	string	Photo has been modified. PhotoModified may have 'true' or 'false'	✓	✓
>>>> CustomAddOns	0	1			✓	✗
>>>>> CustomAddOn	0	4			1)	✗
>>>>>> CustomAddOnType	1	1	string	Three Add On Type to choose from: BLOCK COMPENSATOR TRAY	1)	✗
>>>>>> CustomCode	0	1	int	Codes for accessory which may be custom made or factory made (in that case the internal code in equal the custom code.)	1)	✗
>>>>>> ReferencedAddOnNumber	0	1	int	Reference to the identification number of the Block or Compensator.	1)	✗
>>>>>> TraySpecification	0	1		In case the CustomAddOn is a tray, it gets reported back through this node	1)*	✗

Node Name	Occurrence		Data Type	Node Description	Operational Mode	
	Min	Max			VMS Console System 6.5	VMS Console System 8.8 / QA
>>>>>> TrayID	1	1	string	User-supplied identifier for tray. Max length is 16 characters.	1)*	*
>>>>>> SourceTrayDistance	0	1	int	The distance from source to slot. This information is needed to distinguish the slot	1)*	*
> ToleranceTables	0	1			✓	✓
>> ToleranceTable	0	∞		Additional items provided from Vision to expand the features of Tolerance Tables with AutoSetup capabilities	✓	✓
>>> ReferencedToleranceTableNumber	1	1	int	Refers to the tolerance table in RT Tolerance Table module	✓	✓
>>> ToleranceTableExtension	1	1			✓	✓
>>>> GantryRtnSetup	0	1	string	Setup attributes may have following type: Automatic Manual Remote	✓	✓
>>>> CollRtnSetup	0	1	string		✓	✓
>>>> CollXSetup	0	1	string		✓	✓
>>>> CollYSetup	0	1	string		✓	✓
>>>> PatientSupportAngleSetup	0	1	string		✓	✓
>>>> CouchLngSetup	0	1	string		✓	✓
>>>> CouchVrtSetup	0	1	string		✓	✓

Node Name	Occurrence		Data Type	Node Description	Operational Mode	
	Min	Max			VMS Console System 6.5	VMS Console System 8.8 / QA
>>>> CouchLatSetup	0	1	string		✓	✓
>>>> TableTopEccentricAngleSetup	0	1	string		✓	✓
> DoseReferences	0	1			✓	✓
>> DoseReference	0	∞			✓	✓
>>> ReferencedDoseReferenceNumber	1	1	int	Reference to the identification number of the Dose Reference (300A,0012) in the RT Prescription module which is a representation of our reference point	✓	✓
>>> DoseReferenceExtension	1	1		Additional items provided from Vision to expand the features of reference points.	✓	✓
>>>> DailyDoseLimit	0	1	decimal	Unit is [Gy]	✓	✓
>>>> SessionDoseLimit	0	1	decimal	Unit is [Gy]	✓	✓
>>>> Breakpoints	0	1			✓	✓
>>>>> Breakpoint	0	∞		Breakpoint extension since DICOM has just one DeliveryWarningDose without a description.	✓	✓
>>>>>> BreakpointDose	1	1	decimal	Unit is [Gy]	✓	✓
>>>>>> BreakpointWarning	1	1	string	Text which describes the breakpoint. Max length is 254 characters	✓	✓

Table 5-15: RT Plan / RT Ion Plan Extended Interface XML Structure

D.2 RT Beams Treatment Record

The XML data structure for RT Beams Session Record IOD is contained in RT Beams Session Record Module in private Treatment Session Beam Data Attribute with tag (3261,102A).

The structure of the XML data structure is described in the following table.

Column “Operational Mode” indicates the presence for certain XML nodes depending of the applications Operational Mode

Legend for column “Operational Mode”:

- ✓ Attribute supported
- ✗ Attribute not supported

Attributes not supported anymore in the Extended Interface XML data are covered by standard DICOM attributes.

Node Name	Occurrence		Data Type	Node Description	Operational Mode	
	Min	Max			VMS Console System 6.5	VMS Console System 8.8 / QA
RTBeamSessionRecordExtendedIF	0	1			✓	✓
> DoseOverrides	0	1			✓	✓
>> DoseOverride	0	∞		There may be as many DoseOverride nodes as Reference Points.	✓	✓
>>> DoseOverrideType	1	1	string	Type of dose overrides. Supported are: BREAKPOINT: Breakpoint dose limit overridden DAILYDOSE: Daily dose limit overridden SESSIONDOSE: Session dose limit overridden TOTALDOSE:	✓	✓

Node Name	Occurrence		Data Type	Node Description	Operational Mode	
	Min	Max			VMS Console System 6.5	VMS Console System 8.8 / QA
>>> Dose	0	1	decimal	Contains the specific overridden/authorized dose for DoseOverrideType 'BREAKPOINT' at the Reference Point referenced by Dose Reference Number. Unit is [Gy]	✓	✓
>>> DoseReferenceNumber	1	1	non-negative int	References the Reference Point on which the dose was applied.	✓	✓
>>> OperatorsName	1	1		Operator Name who overrode/approved the specific doses.	✓	✓
>>>> FamilyName	0	1	string	Max length is 64 characters.	✓	✓
>>>> GivenName	0	1	string	Max length is 64 characters	✓	✓
>>>> MiddleName	0	1	string	Max length is 64 characters	✓	✓
>>>> Prefix	0	1	string	Max length is 64 characters	✓	✓
>>>> Suffix	0	1	string	Max length is 64 characters	✓	✓
> TraySpecifications	0	1			✓	✗
>> TraySpecification	1	∞		As many nodes as tray applied for the treated beam.	✓	✗
>>> TrayID	1	1	string	That's the parameter which needs to be defined when a tray is defined/acquired. Max length is 16 characters	✓	✗
>>> SourceTrayDistance	0	1	int	Radiation Source to attachment edge of tray assembly (mm).	✓	✗

Node Name	Occurrence		Data Type	Node Description	Operational Mode	
	Min	Max			VMS Console System 6.5	VMS Console System 8.8 / QA
> AdditionalOperators	0	1			✓	✓
>> OperatorsName	1	2		If the 'Show Sign Off Dialog' is checked in ITAdmin -> MachineConfiguration -> Preferences, the Sign Off Dialog will be shown after closing the patient. Three OperatorsName may be entered in this dialog. The first OperatorsName will be sent through the standard attribute Operator Name (0008,1070) in the RT Beams Session Record module, the remaining two names if available will be sent here in the Extended Interface	✓	✓
>>> FamilyName	0	1	string	Max length is 64 characters.	✓	✓
>>> GivenName	0	1	string	Max length is 64 characters	✓	✓
>>> MiddleName	0	1	string	Max length is 64 characters	✓	✓
>>> Prefix	0	1	string	Max length is 64 characters	✓	✓
>>> Suffix	0	1	string	Max length is 64 characters	✓	✓

Table 5-16: RT Beams Treatment Record Extended Interface XML Structure