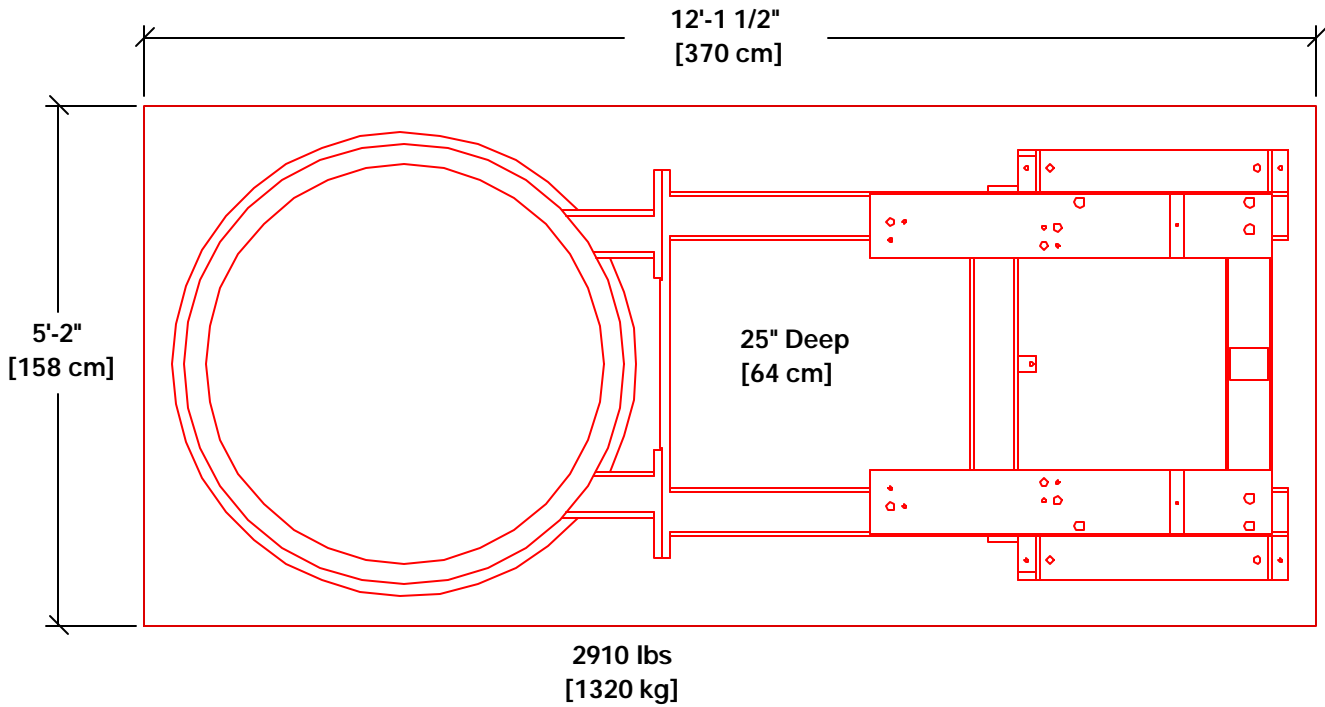
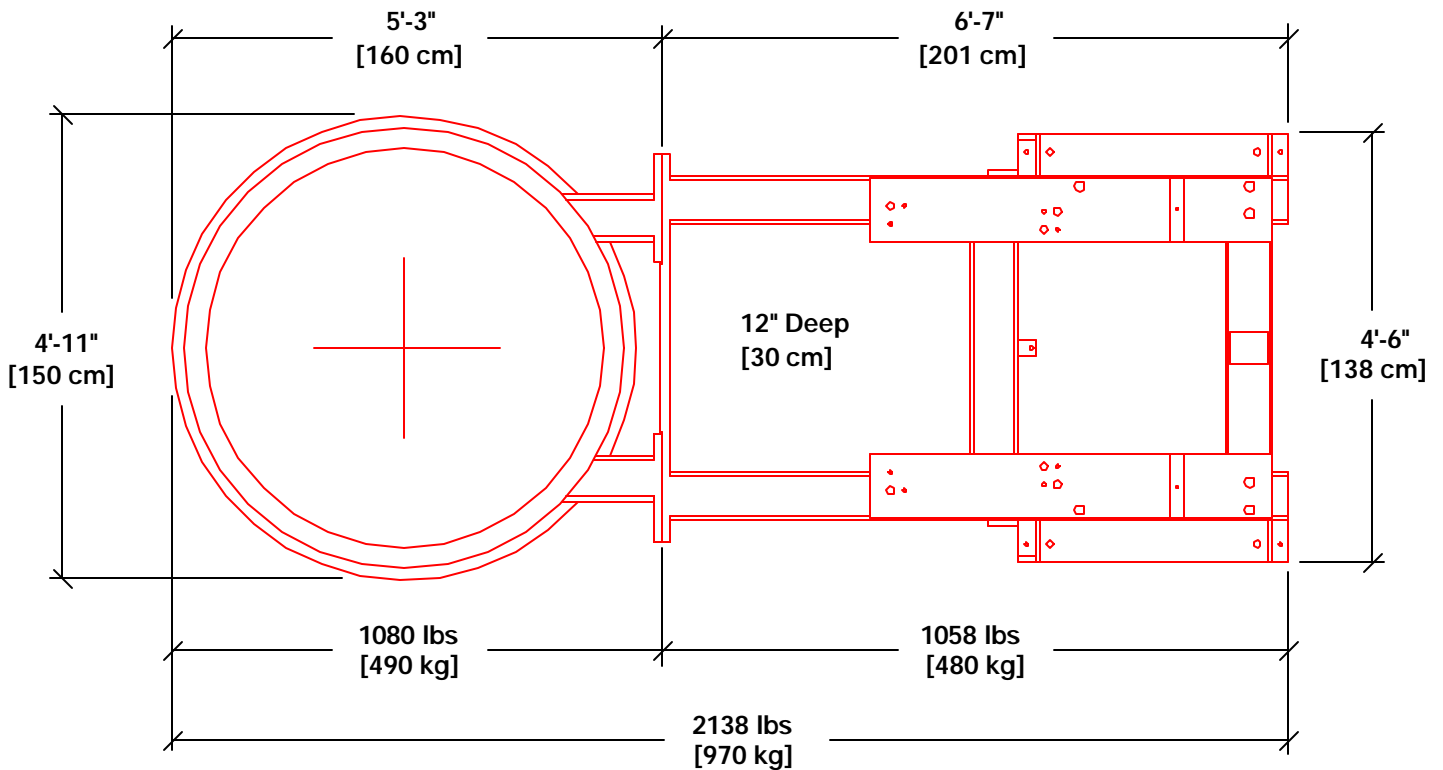


# CRATED BASE FRAME



# ONE/TWO PIECE RIGGING



	Refer to the Varian Components chart at the end of this section.	<b>HIGH ENERGY VEO BASE FRAME CRATED / RIGGING SIZE / WEIGHT</b>				
	Not For Construction					
:page	planning dept.	© Varian Medical Systems 2004 All rights reserved.	02Feb06	revision: 1	doc. #: 1100808	page: